

REV

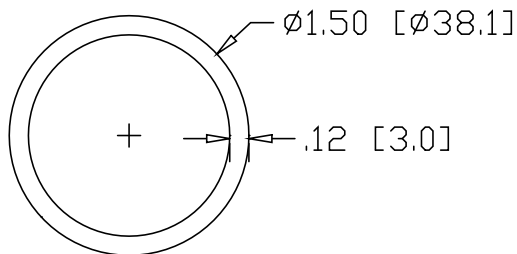
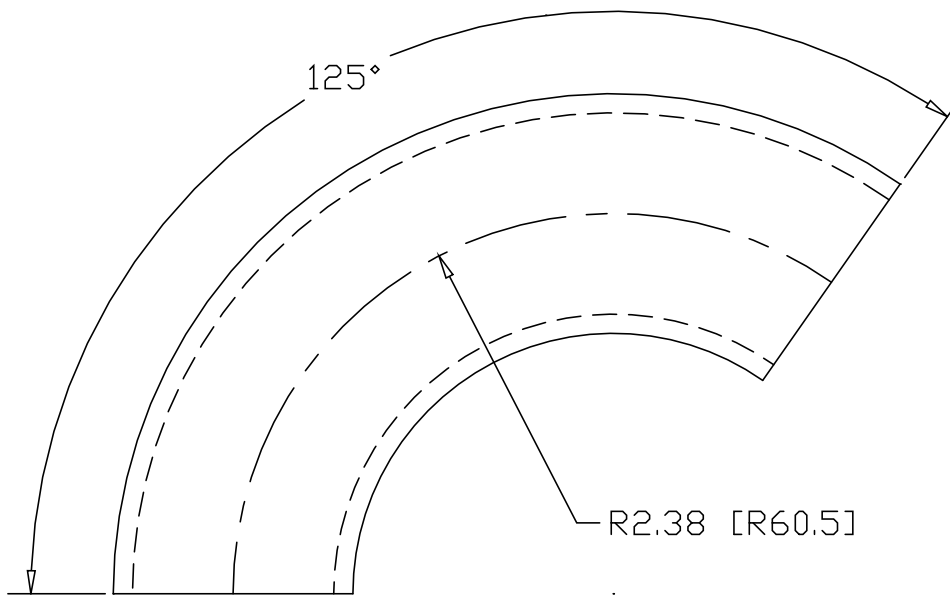
SH

DWG NO
6909

DWG NO

REVISIONS

REV	DESCRIPTION	DATE	APPROVED
-----	-------------	------	----------



INCHES [MILLIMETERS]

PART NAME		1.50" O.D. TUBE 125° ELL X 2.38" CLR					
MATERIAL		1.50" O.D. X .120W STEEL TUBE					
DATE	9/12/00		THE WAGNER COMPANIES R & B WAGNER, INC. AND J. G. BRAUN CO.				
DRAWN BY	RJF						
FINISH	MILL						
SIZE	A	WEIGHT	.77 LBS	PART NUMBER	6909	REV	