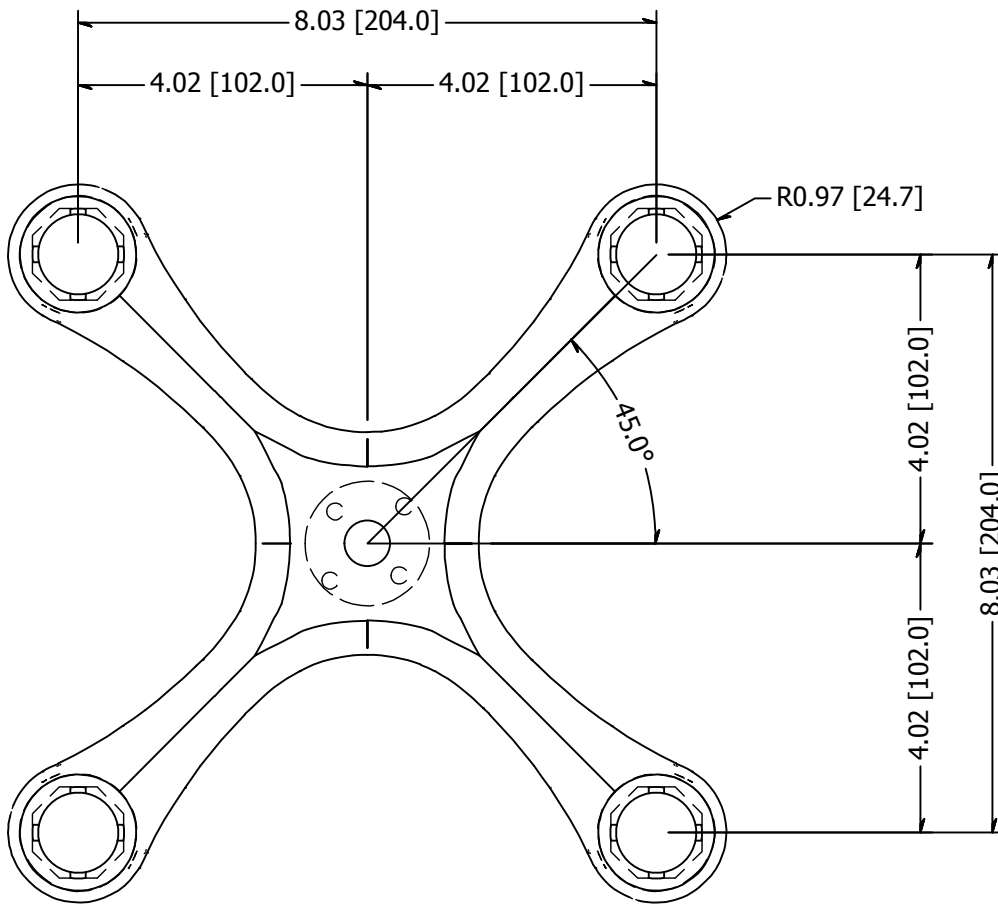
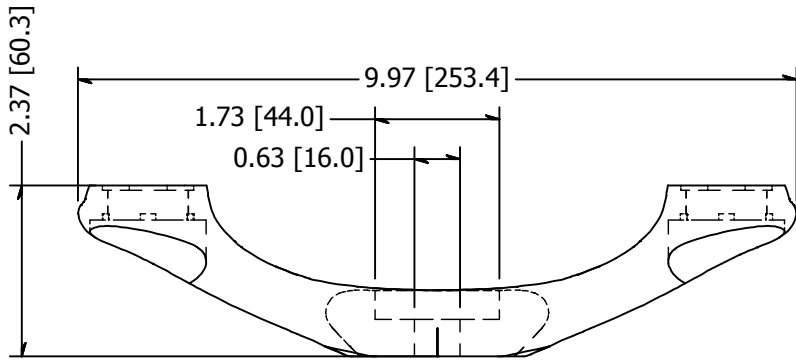


2

1



TOLERANCE UNLESS OTHERWISE NOTED, TOLERANCES TO CONFORM TO ES.03.011	CUT LENGTH:	FINISH:	DESCRIPTION: Spider, Stainless Steel, Sm Series, 200mm C/C 4 Point, Brushed Satin Finish, Grade 316	
		#4	MATERIAL:	MATERIAL DESC:
	DEVELOPED LENGTH:	WEIGHT:	Stainless Steel	316 Stainless Steel, Cast
	TOOL NUMBER:	5.26 lbmass	DATE: 9/26/2017	REV: -
		DRAWN BY: T. Kolbach	10600 W Brown Deer Rd Milwaukee, WI 53224 COLLABORATIVE METALWORKS http://www.wagnercompanies.com/	
		PART NUMBER: LXSM4000		

2

1