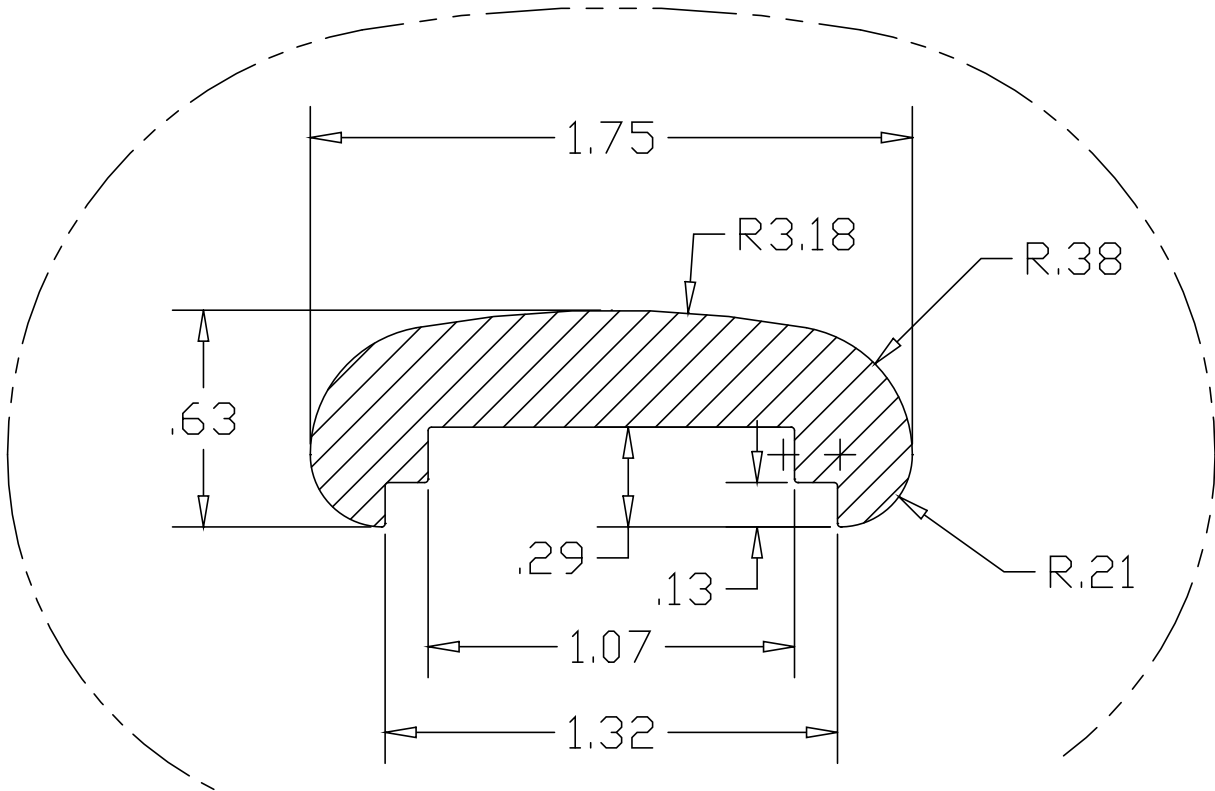



REV  
SH  
H2903  
DWG NO

REVISIONS			
REV	DESCRIPTION	DATE	APPROVED

EXPOSED SURFACE



PART NAME		EXTRUDED ALUMINUM HANDRAIL	
MATERIAL		6063-T52 ALUMINUM	
DATE	10/08/03	 <b>THE WAGNER COMPANIES</b> R & B WAGNER, INC. AND J. G. BRAUN CO.	
DRAWN BY	RJF		
FINISH			
SIZE	WEIGHT	PART NUMBER	REV
A		H2903	