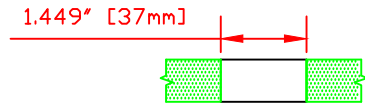
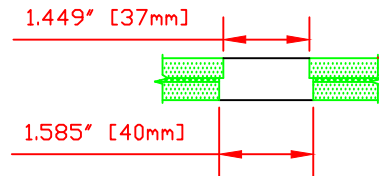


WAGNER ARCHITECTURAL GLASS SYSTEMS

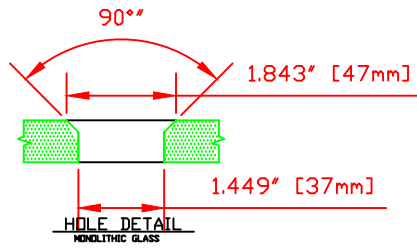
OPR905-FH-AB3-M14



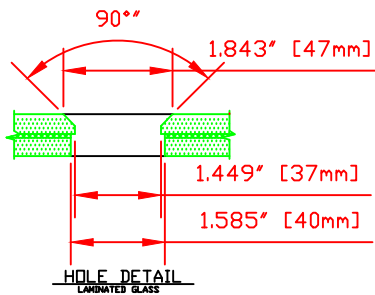
HOLE DETAIL
MONOLITHIC GLASS



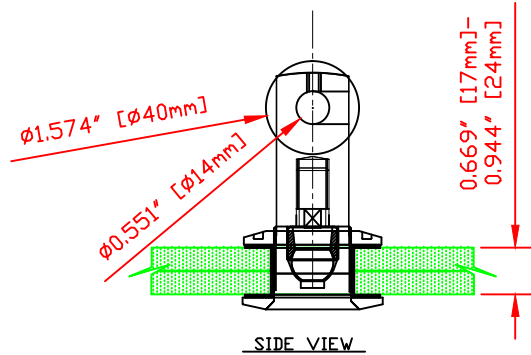
HOLE DETAIL
LAMINATED GLASS



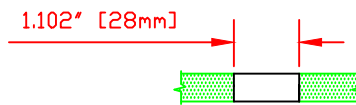
HOLE DETAIL
MONOLITHIC GLASS



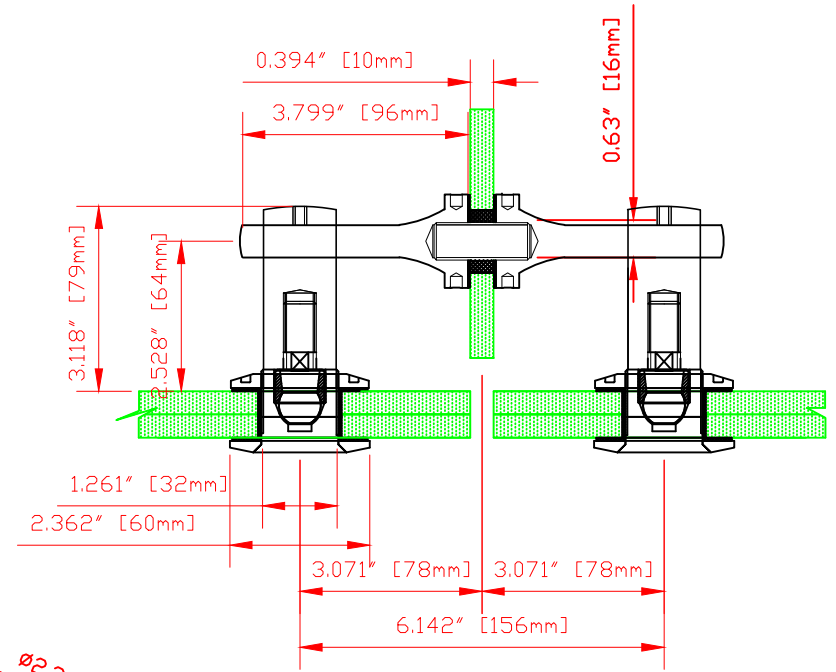
HOLE DETAIL
LAMINATED GLASS



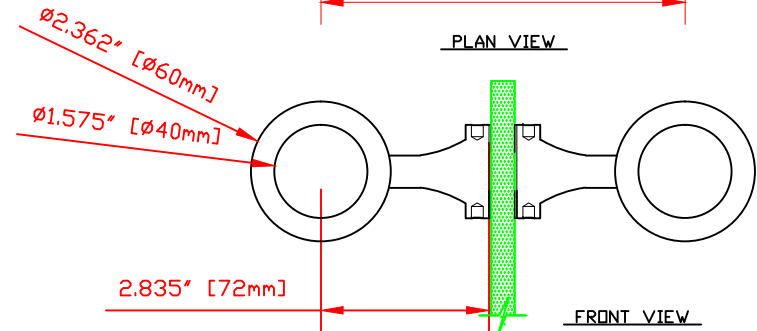
SIDE VIEW



HOLE DETAIL
GLASS FIN




PLAN VIEW



FRONT VIEW

DISCLAIMER:
THIS DRAWING AND THE INFORMATION CONTAINED
HEREIN IS FOR GENERAL USE ONLY. THE WAGNER
COMPANIES TAKES NO RESPONSIBILITY FOR THE
SPECIFICATION OF THIS PRODUCT. PLEASE DO NOT
SCALE DRAWINGS.

		WAGNER PART NAME LX9052FRV2	
DESCRIPTION		SPIDER ASSEMBLY - OPR905 SERIES	
MATERIAL		STAINLESS STEEL 316	FINISH SATIN
DATE	04/14/10	 THE WAGNER COMPANIES R & B WAGNER, INC. AND J. G. BRAUN CO.	
DRAWN BY	TLK		
REVISION			
WWW.WAGNERCOMPANIES.COM		Toll Free Phone: 1-888-243-6914 Fax: 1-414-214-8324	