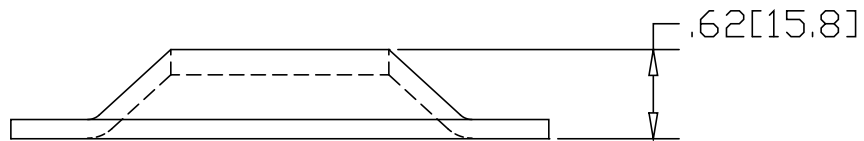
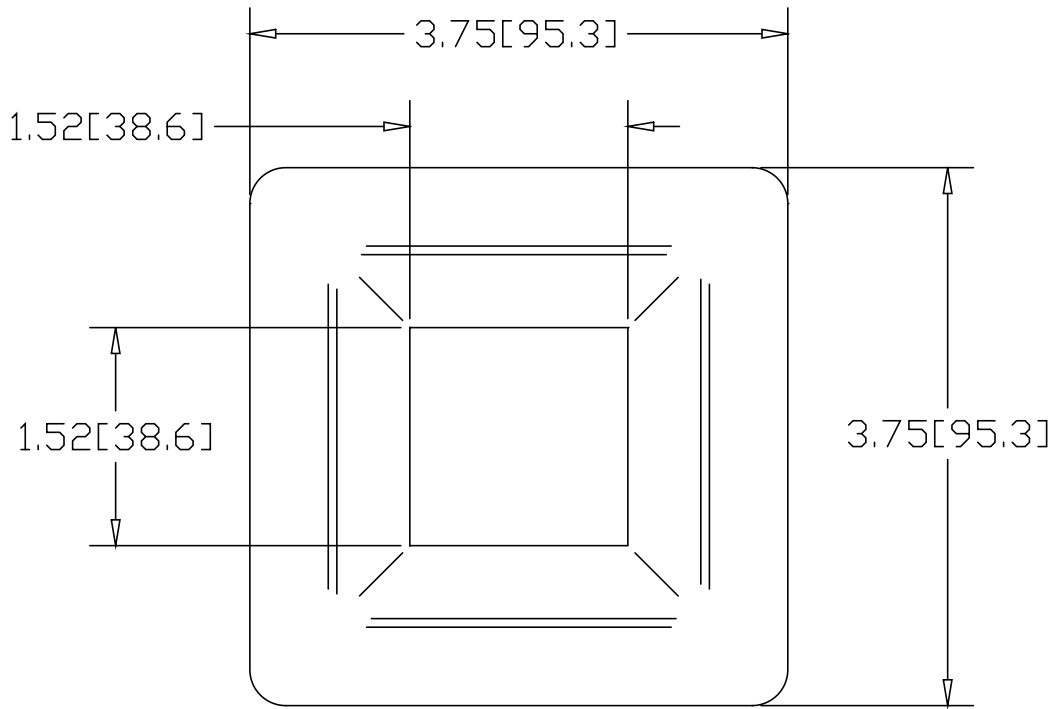



REV
SH
DWG NO 8047-NH

REVISIONS			
REV	DESCRIPTION	DATE	APPROVED



INCHES [MILLIMETERS]

ALTERNATE MATERIAL	PART NUMBER
.125 (3003) ALUMINUM ASTM B209	8048-NH

PART NAME		1.50" SQUARE TUBE FLANGE			
MATERIAL		10 GA. HRP&D STEEL ASTM A569			
DATE	7/24/96	 R & B WAGNER, INC.			
DRAWN BY	RJF				
FINISH	MILL	SIZE	WEIGHT	PART NUMBER	REV
		A	.46 LBS	8047-NH	