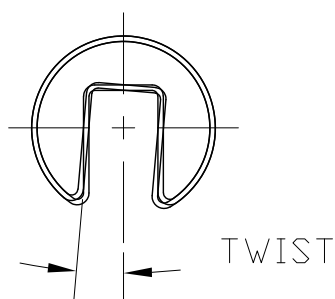
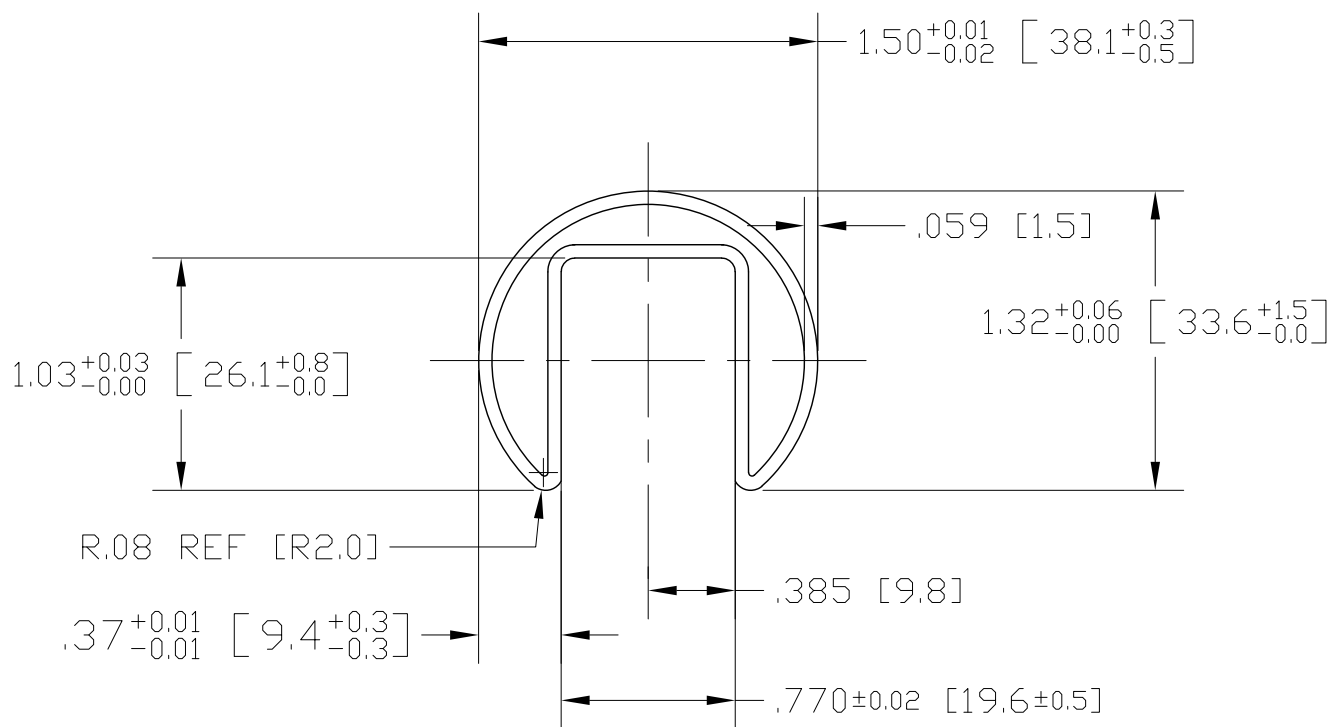



REV 2
SH
DWG NO GR3152

REVISIONS			
REV	DESCRIPTION	DATE	APPROVED
1	RELEASED TO PRODUCTION	12/07/11	PWH
2	1.50 +.01/-0.02 WAS +0.00/-0.020	04/04/18	RJF



NOTE: MAXIMUM ALLOWABLE TWIST
0.5° PER FOOT WITH MAXIMUM 5.0° PER LENGTH

INCHES [MILLIMETERS]

PART NAME 1.50" DD X .059W STAINLESS STEEL CAPRAIL			
MATERIAL 316 STAINLESS STEEL			
DATE 12/07/11	 THE WAGNER COMPANIES R & B WAGNER, INC. AND J. G. BRAUN CO.		
DRAWN BY PWH			
FINISH MILL	SIZE A	WEIGHT 1.3 LBS	PART NUMBER GR3152
			REV 2