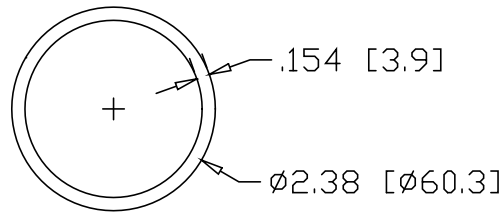
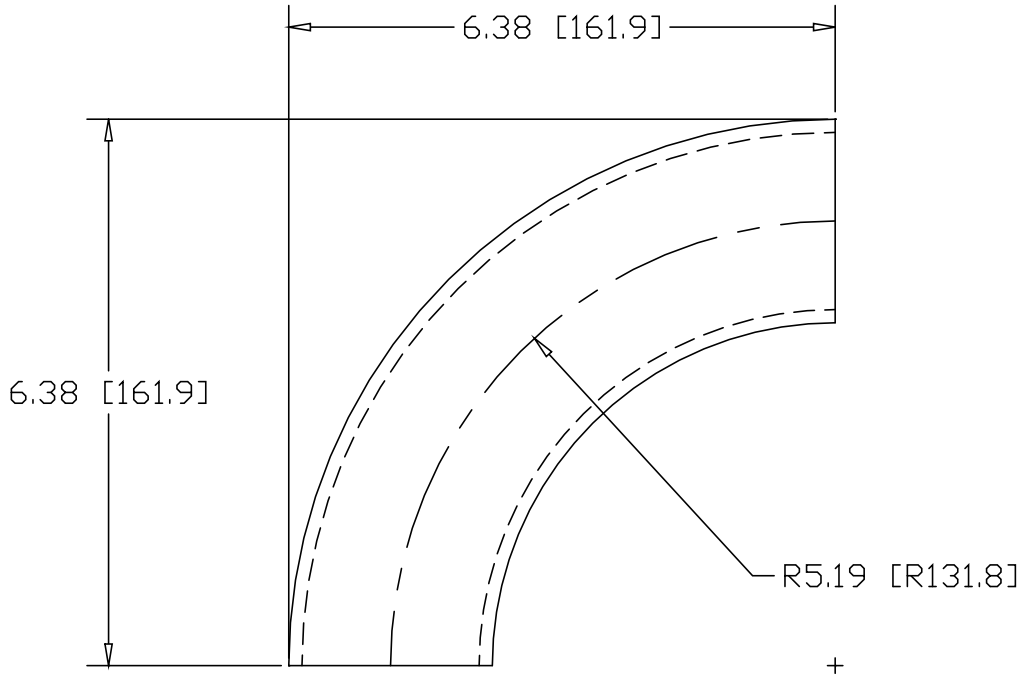



REV
SH
5726
DWG NO

REVISIONS			
REV	DESCRIPTION	DATE	APPROVED



INCHES [MILLIMETERS]

ALTERNATE MATERIAL	PART NUMBER
2" SCH 40 (6063) ALUMINUM PIPE	5740
2" SCH 40 (304) STAINLESS STEEL PIPE	5754

PART NAME				2" PIPE SIZE 90° X 4" I.R. ELL			
MATERIAL				2" SCH 40 STEEL PIPE			
DATE	4/9/96	 R & B WAGNER, INC.					
DRAWN BY	RJF						
FINISH	MILL						
SIZE	A	WEIGHT	2.47 LBS	PART NUMBER	5726	REV	