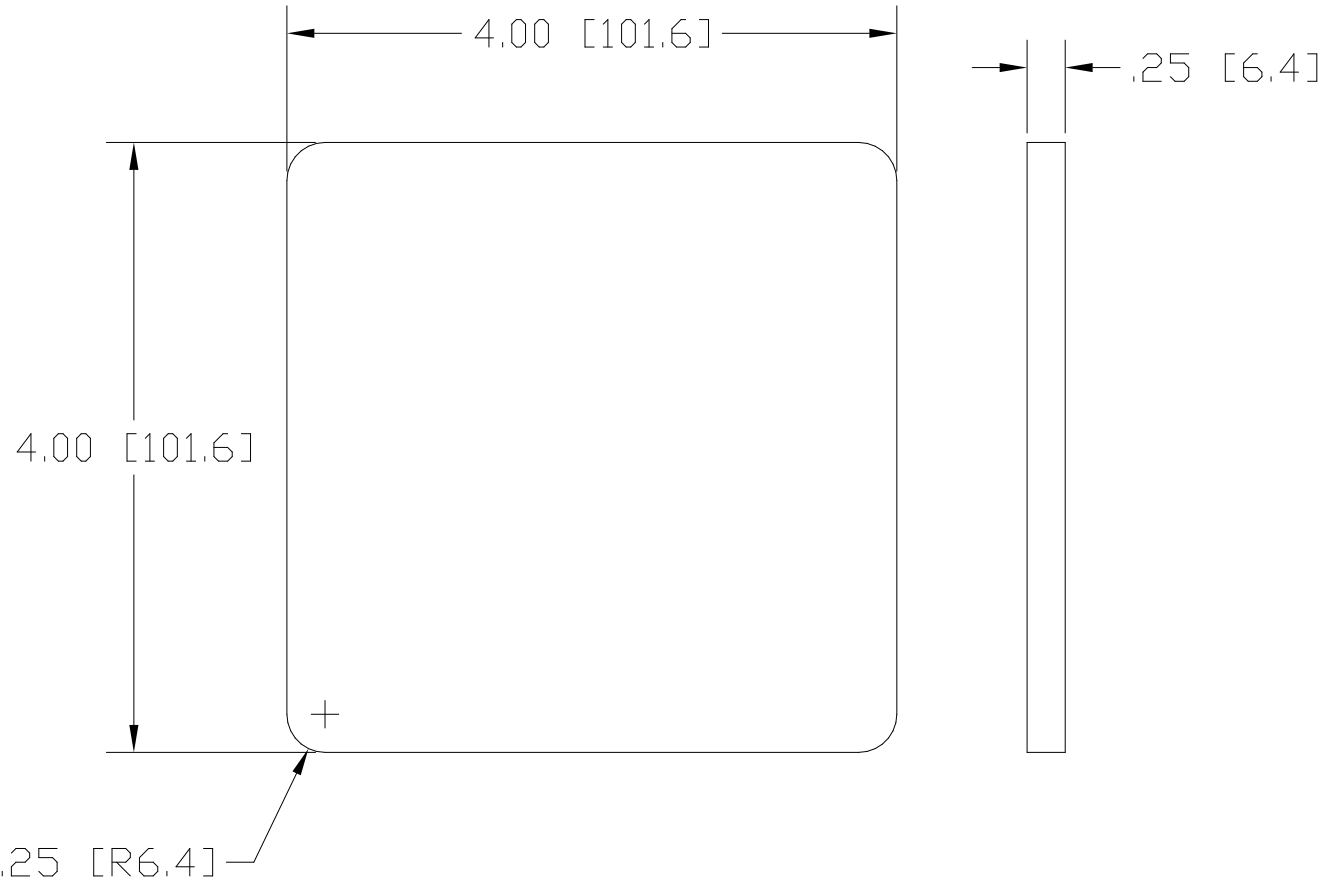



REV
SH
DWG NO D480

REVISIONS			
REV	DESCRIPTION	DATE	APPROVED



INCHES [MILLIMETERS]

ALTERNATE MATERIAL	PART NUMBER
.250 (3003) ALUMINUM ASTM B209	D481
.18 (304) STAINLESS STEEL ASTM A240	D482
.250 (260) BRASS ASTM B19,B36	D483

PART NAME 4" SQUARE PLATE WITH RADIUS CORNERS					
MATERIAL .250 HRP&O STEEL ASTM A569					
DATE	11/20/98	 THE WAGNER COMPANIES R & B WAGNER, INC. AND J. G. BRAUN CO.			
DRAWN BY	RJF				
FINISH	MILL				
SIZE	A	WEIGHT	1.13 LBS	PART NUMBER	D480
				REV	