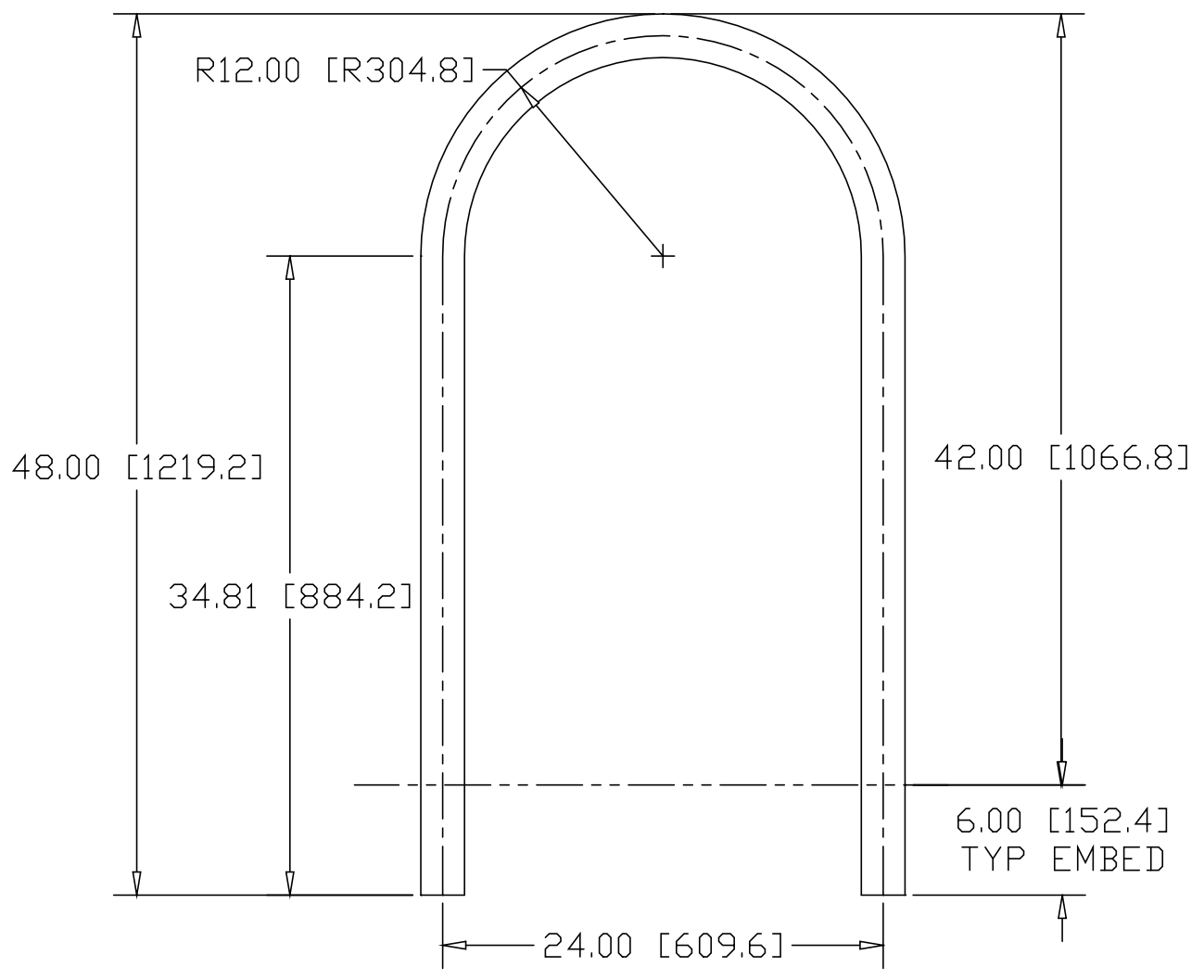


REV
A
SH
SR1M
DWG NO


REVISIONS			
REV	DESCRIPTION	DATE	APPROVED
A	HT WAS 36.00, EMBED WAS 10.00	12/18/06	RJF



DL = 107.32"

INCHES [MILLIMETERS]

ALTERNATE MATERIAL	PART NUMBER
2" SCH 40 GALVANIZED STEEL PIPE	SR1G
2" SCH 40 STAINLESS STEEL PIPE W/#4 SATIN	SR1SS

PART NAME		2" SCH 40 SINGLE LOOP BIKE RACK					
MATERIAL		2" SCH 40 (2.38" O.D.) A53 STEEL PIPE					
DATE	12/23/97	 THE WAGNER COMPANIES R & B WAGNER, INC. AND J. G. BRAUN CO.					
DRAWN BY	RJF						
FINISH	MILL						
SIZE	A	WEIGHT	32.6 LBS	PART NUMBER	SR1M	REV	A