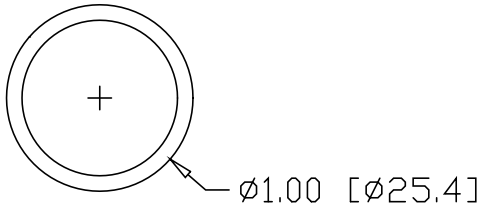
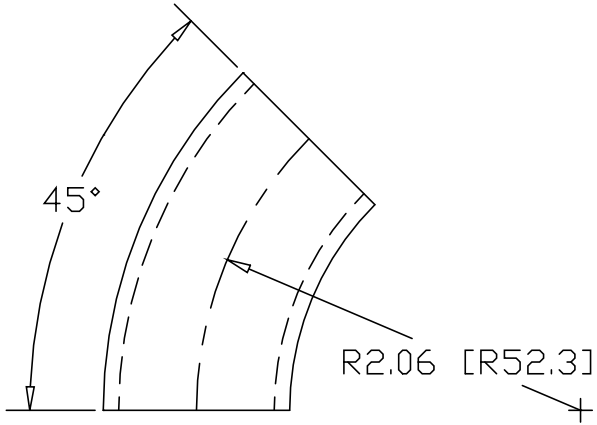



REV
SH
7802
DWG NO

REVISIONS			
REV	DESCRIPTION	DATE	APPROVED



INCHES [MILLIMETERS]

PART NAME		1.00" OD TUBE 45° ELL X 2.06" CLR					
MATERIAL		1.00" OD X .083W STEEL TUBE ASTM A513					
DATE	8/10/00	 THE WAGNER COMPANIES R & B WAGNER, INC. AND J. G. BRAUN CO.					
DRAWN BY	RJF						
FINISH	MILL						
SIZE	A	WEIGHT	.11 LBS	PART NUMBER	7802	REV	