

2

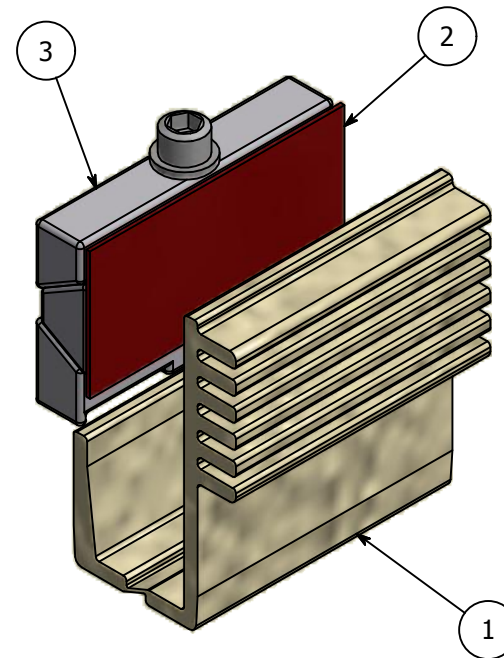
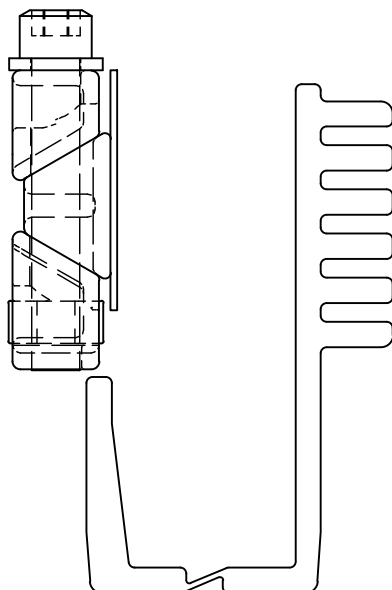
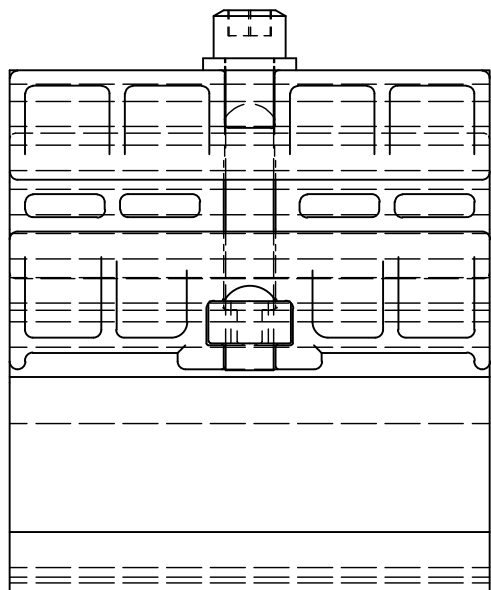


1

PARTS LIST

ITEM	QTY	PART NUMBER	DESCRIPTION
1	1	PGISO21	Cream Isolator, Plastic, Used with Panel Grip, 21.5mm Glass
2	1	PGISO.035	Red Pad, Used with Panel Grip, 21.5mm Glass
3	1	N/A	Panel Grip Assembly



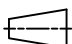
B



B

A

A

TOLERANCE X.X..... = ± .060 X.XX..... = ± .030 X.XXX..... = ± .010 XX°..... = ± 1° UNLESS OTHERWISE NOTED	CUT LENGTH:	FINISH:	DESCRIPTION: PanelGrip 2 for 21.5mm Glass, Dry Mount Mechanism, w/ Cream Isolator and Red Pad		
		As Is	MATERIAL:	MATERIAL DESC:	
	DEVELOPED LENGTH:	WEIGHT:	DATE:	REV:	 WAGNER COLLABORATIVE METAL WORKS
		0.26 lbmass	9/10/2015	1	
TOOL NUMBER:			DRAWN BY: K. Bauserman		
			PART NUMBER: PG2421S		

2



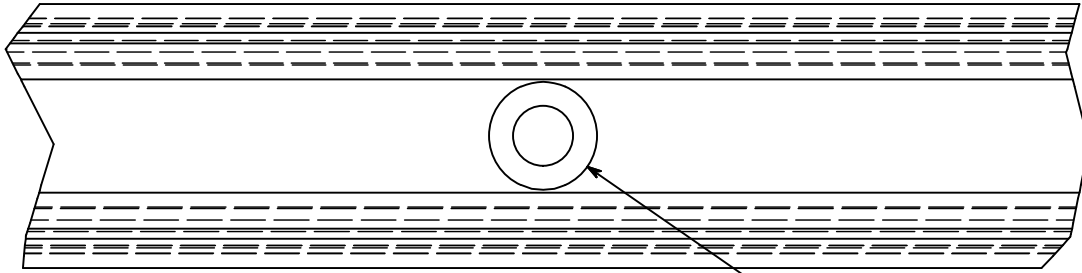
1

2

1

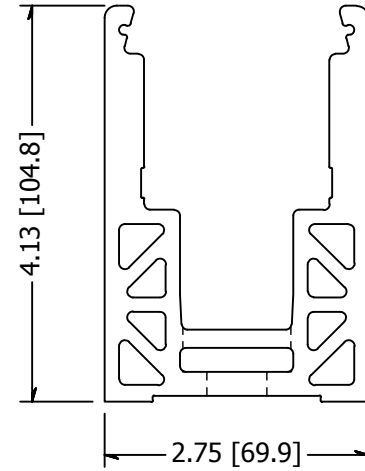
B

B



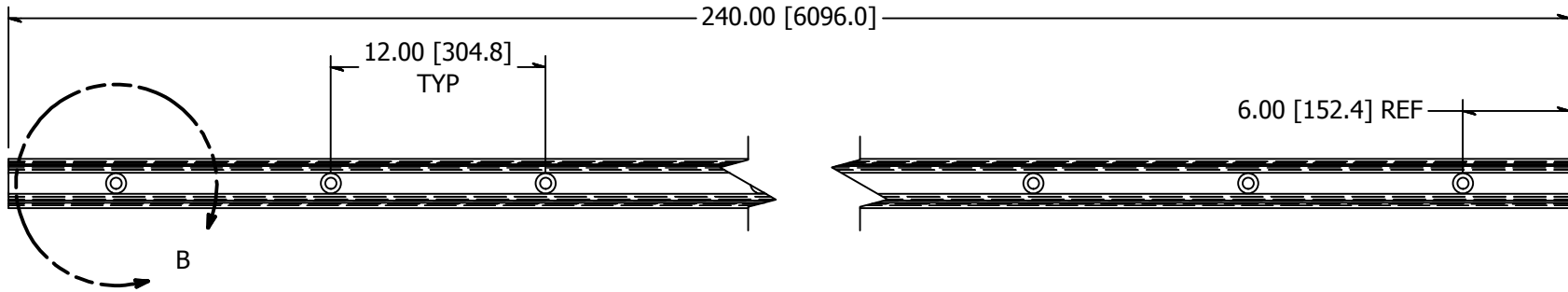
DETAIL B

(20) Ø0.625 THRU
 □ Ø1.125 ▽ 0.438



A

A


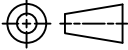


A

A

2

1

TOLERANCE X.X.....= ± .060 X.XX.....= ± .030 X.XXX.....= ± .010 XX°.....= ± 1° UNLESS OTHERWISE NOTED	CUT LENGTH:	FINISH:	DESCRIPTION: Shoe Moulding, AL, PanelGrip, 2-3/4 In Wide, 4-1/8 In High, Counterbored Holes		
		MILL	MATERIAL:	MATERIAL DESC:	
	DEVELOPED LENGTH:	WEIGHT:	DATE:	REV:	 COLLABORATIVE METAL WORKS
	TOOL NUMBER:		DRAWN BY:		
		97.59 lbmass	1/16/2015	-	
			K. Turdo		
			PART NUMBER:		
			GR2457HCB		

A