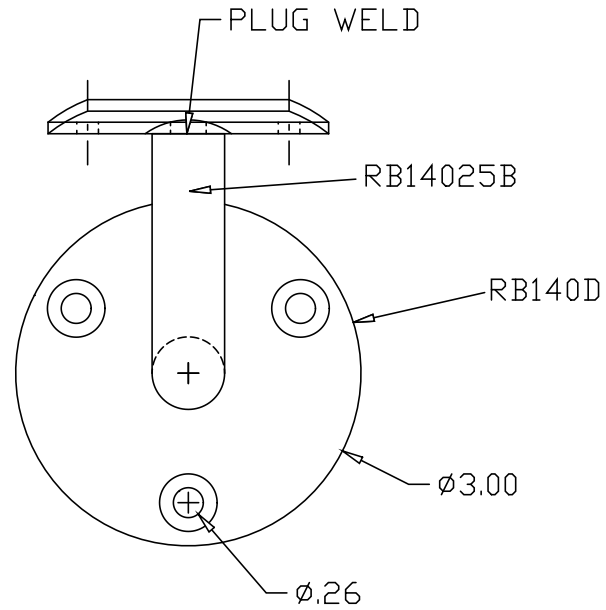
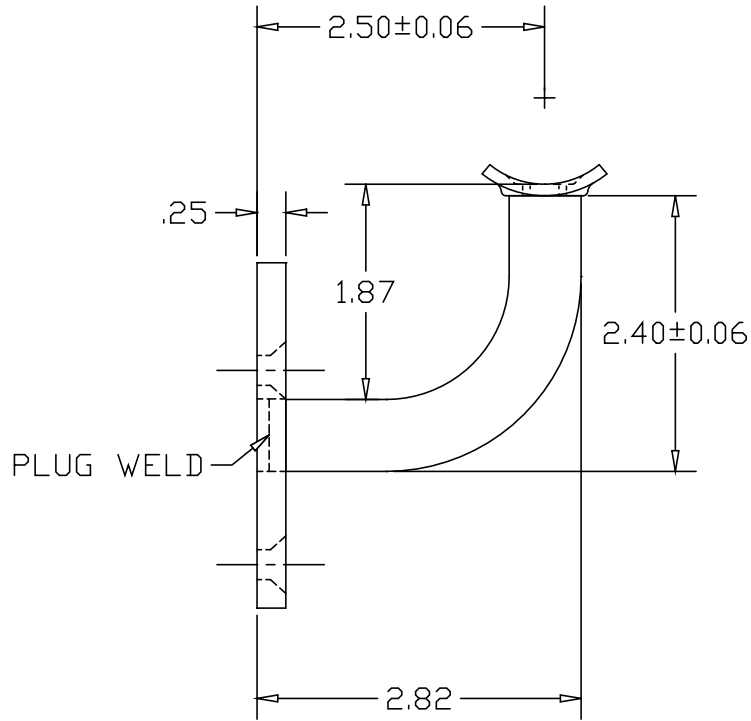



PART NUMBER	RB14025	SH	REV 1
-------------	---------	----	----------

REVISIONS			
REV	DESCRIPTION	DATE	APPROVED



PART NAME		HANDRAIL BRACKET, BAR BEND FABRICATED	
MATERIAL		STEEL	
DATE	03/06/09	 THE WAGNER COMPANIES R & B WAGNER, INC. AND J. G. BRAUN CO.	
DRAWN BY	RDC		
FINISH	MILL	SIZE	A
		WEIGHT	
		PART NUMBER	RB14025
		REV	1