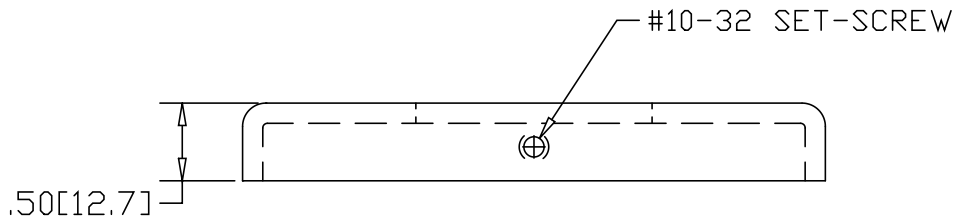
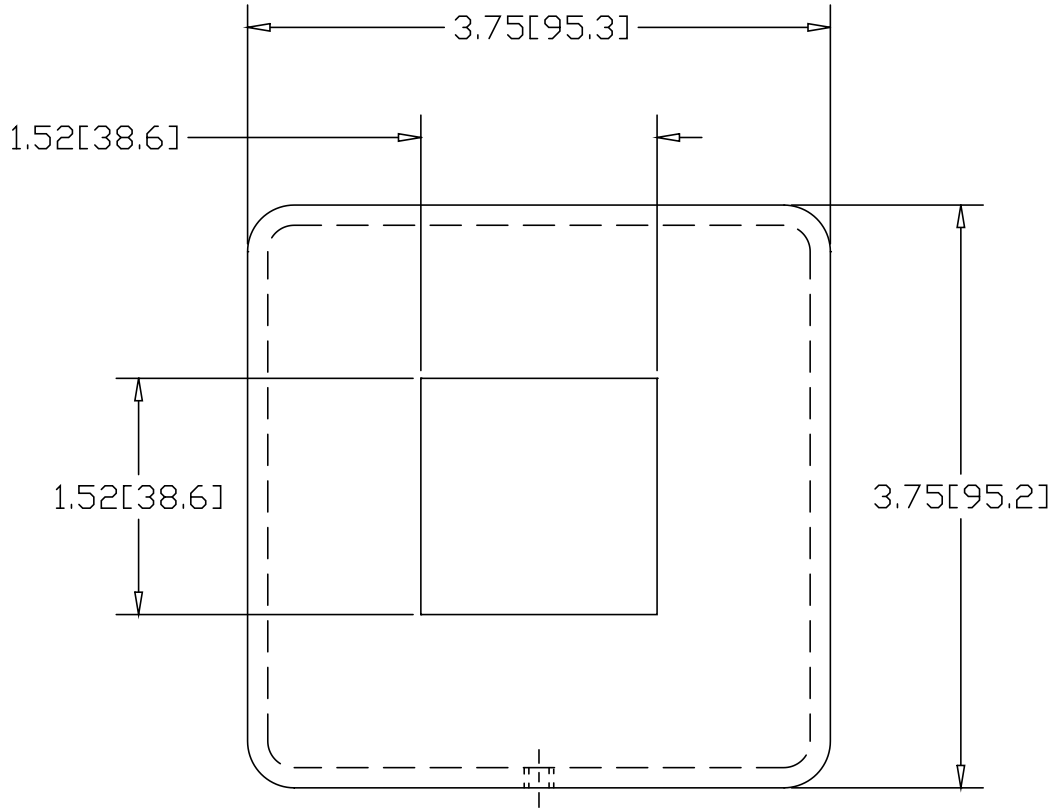



REV  
SH  
8725  
DWG NO

REVISIONS			
REV	DESCRIPTION	DATE	APPROVED



INCHES [MILLIMETERS]

ALTERNATE MATERIAL	PART NUMBER
.125 (3003) ALUMINUM ASTM B-209	8795
10 GA. (304) STAINLESS STEEL ASTM A240	8865

PART NAME 1-1/2" SQUARE TUBE HFB FLANGE WITH SET-SCREW				
MATERIAL 10 GA. HRP&D STEEL ASTM A-569				
DATE 6/20/95	 <b>R &amp; B WAGNER, INC.</b>			
DRAWN BY RJF				
FINISH MILL	SIZE A	WEIGHT .56 LBS	PART NUMBER 8725	REV