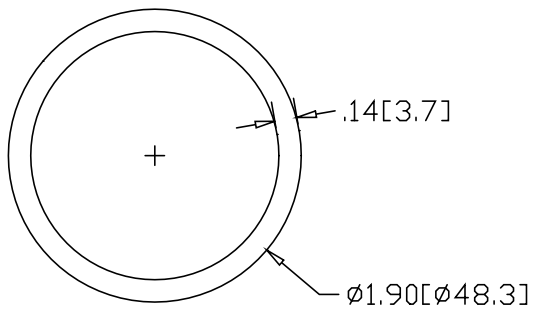
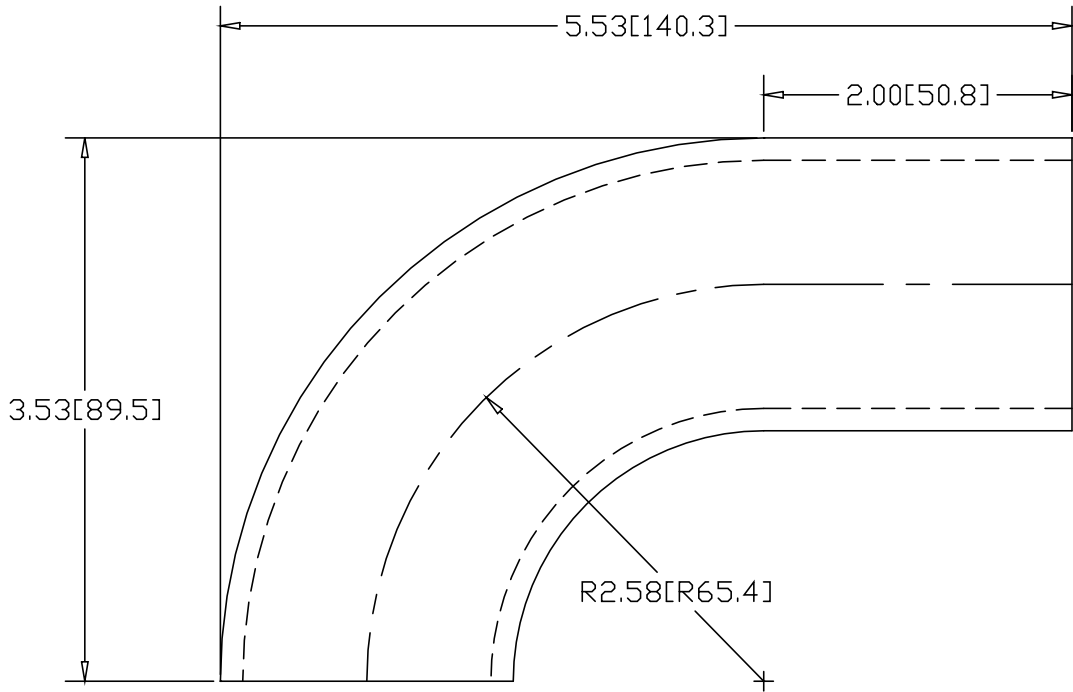



REV  
SH  
4665  
DWG NO

| REVISIONS |             |      |          |
|-----------|-------------|------|----------|
| REV       | DESCRIPTION | DATE | APPROVED |



INCHES [MILLIMETERS]

| ALTERNATE MATERIAL                       | PART NUMBER |
|--|-------------|
| 1-1/2" SCH 40 (6063) ALUMINUM PIPE       | 4675        |
| 1-1/2" SCH 40 (304) STAINLESS STEEL PIPE | 4685        |

|   |   |                    |                 |
|---|---|--------------------|-----------------|
| PART NAME 1-1/2" PIPE SIZE 90° ELL X 1-5/8" I.R. W/(1) 2" TANGENT |   |                    |                 |
| MATERIAL 1-1/2" SCH 40 STEEL PIPE                                 |   |                    |                 |
| DATE 8/18/95  |  | R & B WAGNER, INC. |                 |
| DRAWN BY RJF  |   | SIZE A             | WEIGHT 1.26 LBS |
| FINISH MILL   |   |                    | REV             |