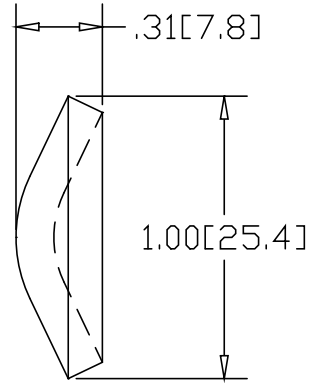
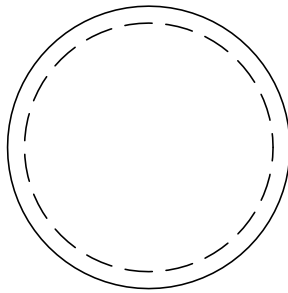



REV
SH
DWG NO D001D

REVISIONS			
REV	DESCRIPTION	DATE	APPROVED



INCHES [MILLIMETERS]

ALTERNATE MATERIAL	PART NUMBER
.125 (3003) ALUMINUM ASTM B209	D002D
10 GA. (304) STAINLESS STEEL ASTM A240	D003D

PART NAME 1.00" O.D. TUBE TYPE "F" DISHED WELD-ON DISK				
MATERIAL 10 GA. HRP&O STEEL ASTM A569				
DATE 6/13/96	 THE WAGNER COMPANIES R & B WAGNER, INC. AND J. G. BRAUN CO.			
DRAWN BY RJF				
FINISH MILL	SIZE A	WEIGHT .03 LBS	PART NUMBER D001D	REV