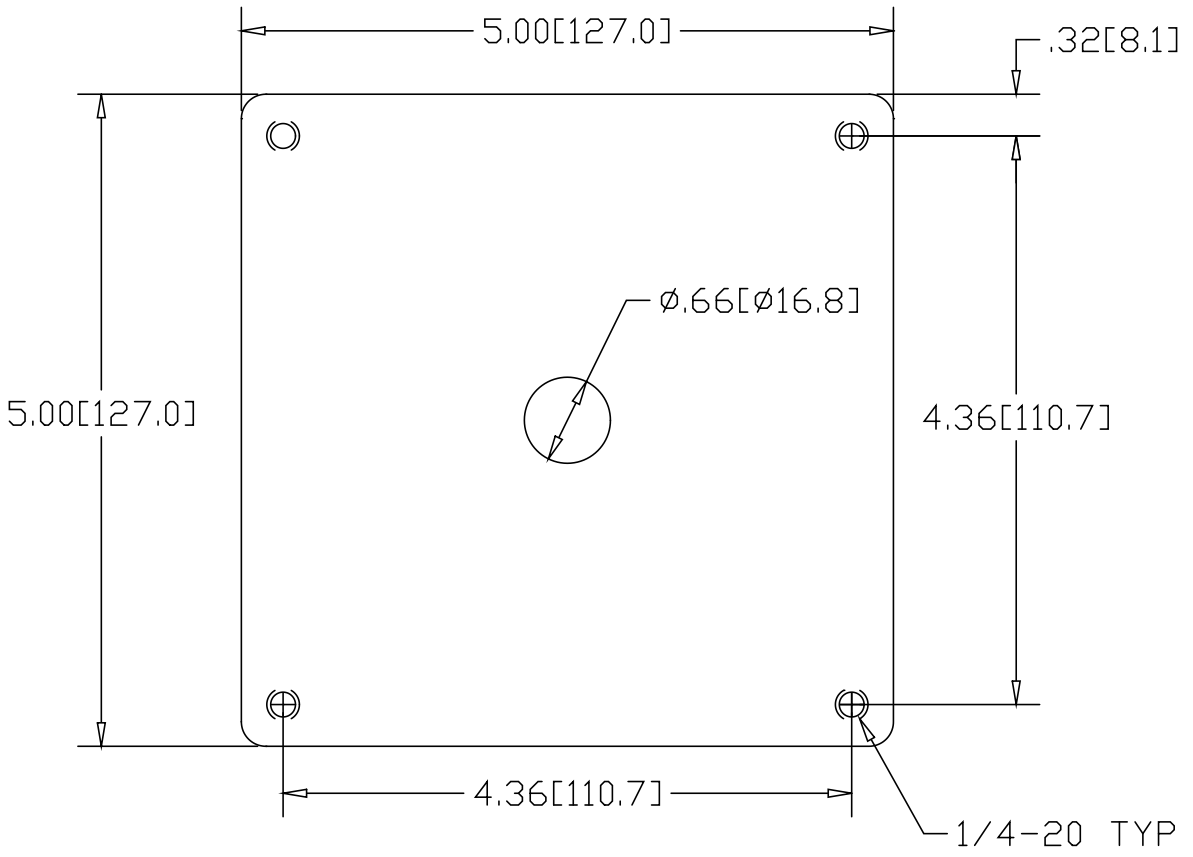


REV
SH
8043
DWG NO


REVISIONS			
REV	DESCRIPTION	DATE	APPROVED



*INCLUDES (4) 1/4-20 X 3/8" FLAT HEAD SCREWS

INCHES [MILLIMETERS]

ALTERNATE MATERIAL	PART NUMBER
.190 (3003) ALUMINUM ASTM B209	8044

PART NAME		5" SQUARE ANCHOR PLATE	
MATERIAL		7 GA. HRP&D STEEL ASTM A569	
DATE	6/12/96	 R & B WAGNER, INC.	
DRAWN BY	RJF		
FINISH	MILL	SIZE	A
		WEIGHT	1.4 LBS
		PART NUMBER	8043
		REV	