

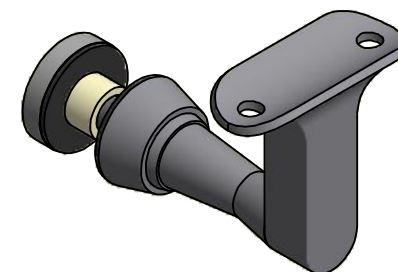
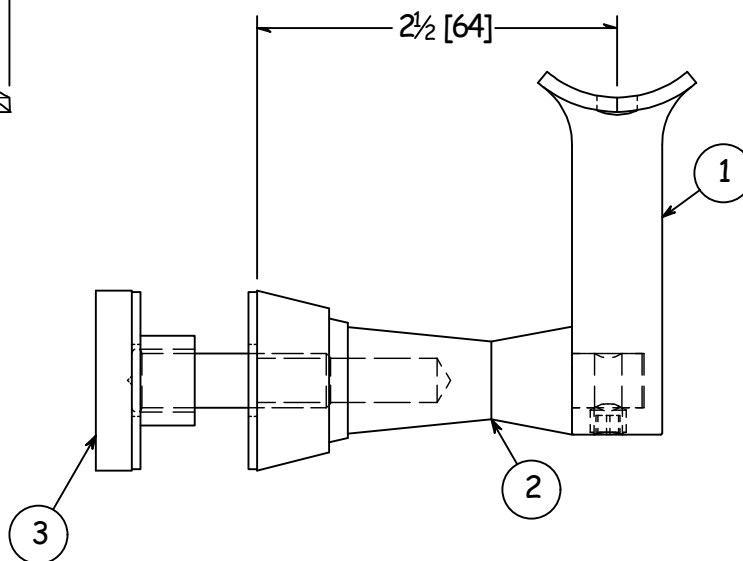
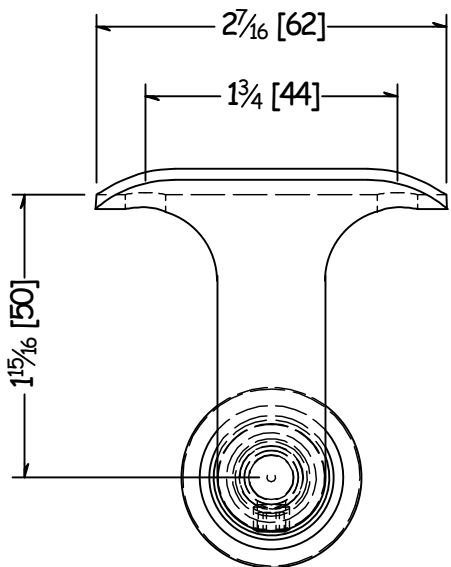
2



1

PARTS LIST

ITEM	QTY	PART NUMBER	DESCRIPTION
1	1	S3501	Handrail Bracket Saddle And Vertical Arm, SS, Cast, #4 Satin Finish, Type 316
2	1	RS3250	Handrail Bracket Arm, SS, Cast, 2-3/16 in Long, W/ End Spool, #4 Satin Finish
3	1	GB3000K.75	GLASS ADAPTER KIT SS 1.25 #4 FOR 3/4 GLASS




B

B



A

A

TOLERANCE FRACTION: X/XX..... = ± 1/16" over 4ft. 16 FT RAIL EXAMPLE: 16 FT / 4 FT = 4 * 1/16" = 1/4" 16 FT RAIL..... = ± 1/4" DECIMAL: X.XX..... = ± .030 X.XXX..... = ± .010 UNLESS OTHERWISE NOTED	FINISH:	DESCRIPTION: Handrail Bracket, SS, Glass Mount, 2-1/2 Inch From Glass to Center of Handrail		
	#4	MATERIAL: 316 Stainless	CUSTOMER NAME:	
	WEIGHT: N/A	DATE: 1/15/2014	 THE WAGNER COMPANIES R & B WAGNER, INC. AND J. G. BRAUN CO.	
	SIZE: A	DRAWN BY: K. Turdo		
ITEM NUMBER: GB3270.75		SHEET: 1 OF 1	DRAWING NUMBER: GB3270.75	REV: -

2



1