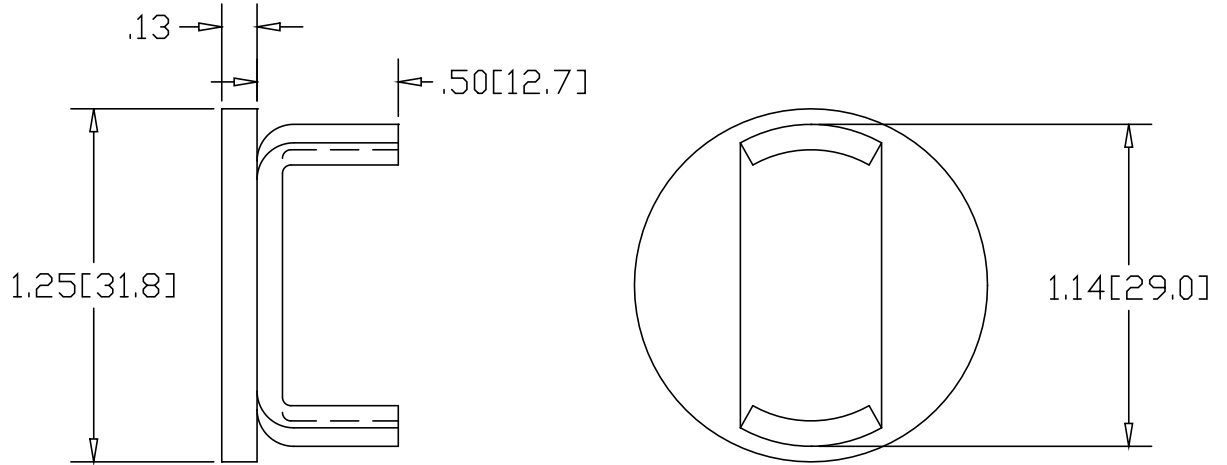



REV
SH
DWG NO D015E.5

REVISIONS			
REV	DESCRIPTION	DATE	APPROVED



INCHES [MILLIMETERS]

ALTERNATE MATERIAL	PART NUMBER
.125 (3003) ALUMINUM ASTM B209	D016E.5
10 GA. (304) STAINLESS STEEL ASTM A240	D017E.5

PART NAME 1-1/4" O.D. X .065W TUBE TYPE "E" DRIVE-ON DISK				
MATERIAL 10 GA. HRP&□ STEEL ASTM A569				
DATE 6/13/96	 THE WAGNER COMPANIES R & B WAGNER, INC. AND J. G. BRAUN CO.			
DRAWN BY RJF				
FINISH MILL		SIZE A	WEIGHT .07 LBS	PART NUMBER D015E.5
				REV