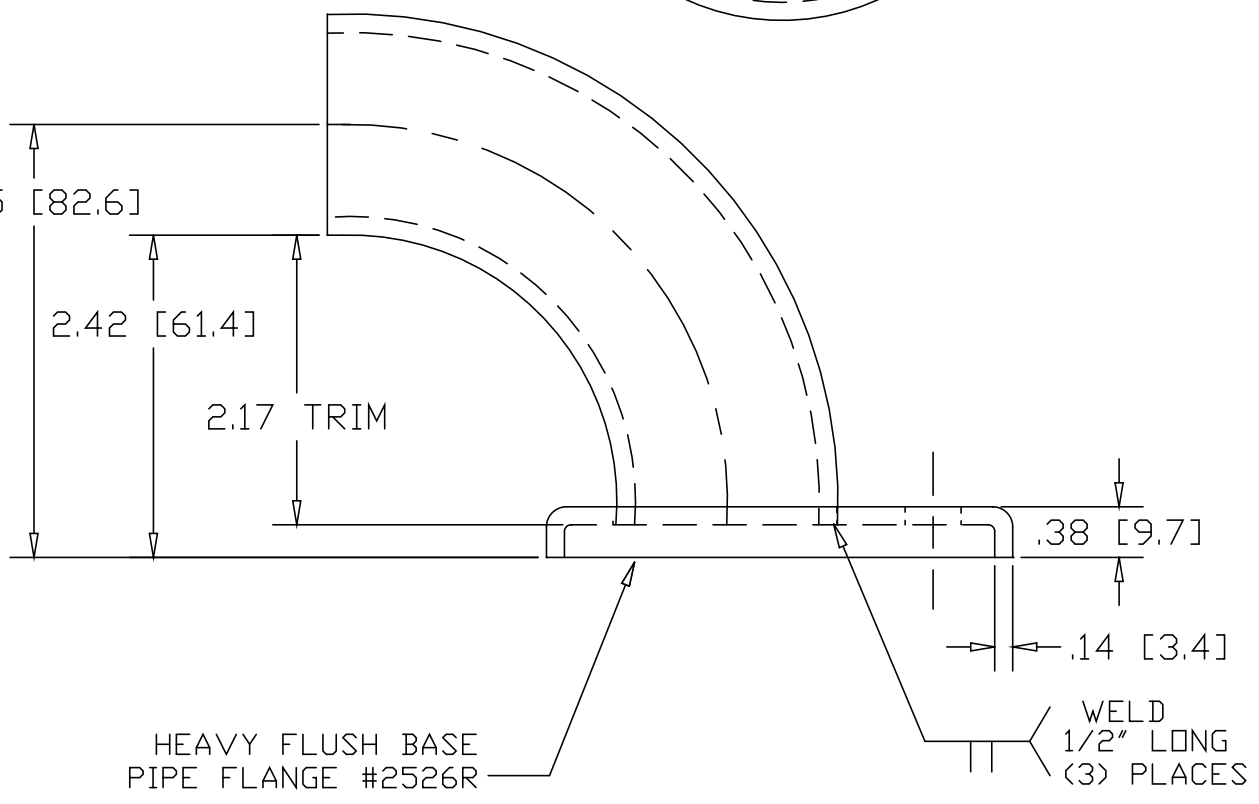
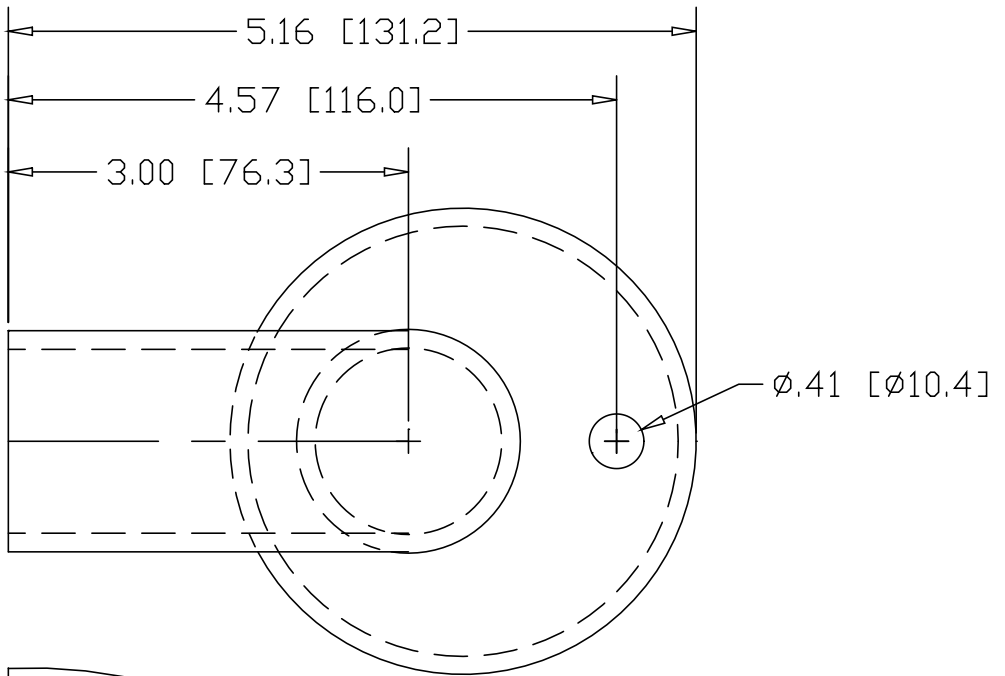


REV
SH
1160-1
DWG NO

REVISIONS			
REV	DESCRIPTION	DATE	APPROVED



HEAVY FLUSH BASE
PIPE FLANGE #2526R

INCHES [MILLIMETERS]

PART NAME		1-1/4" PIPE SIZE X 3.25CL WALL RETURN W/1 HOLE		
MATERIAL		ASTM A569 - STEEL		
DATE	1/10/07		THE WAGNER COMPANIES R & B WAGNER, INC. AND J. G. BRAUN CO.	
DRAWN BY	RDC			
FINISH	MILL			
SIZE	A	WEIGHT	PART NUMBER	1160-1
			REV	