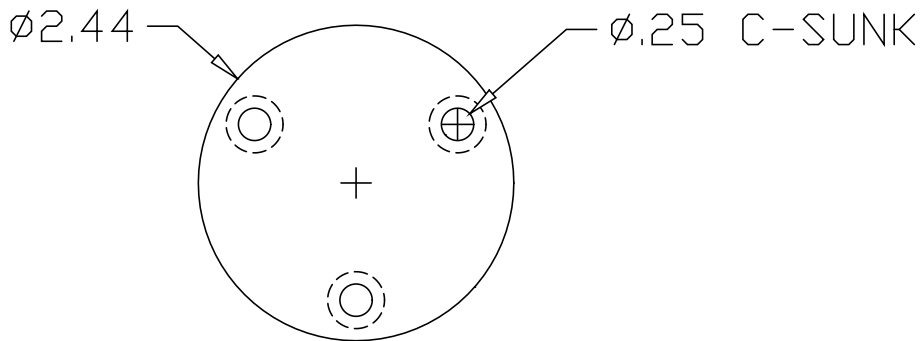
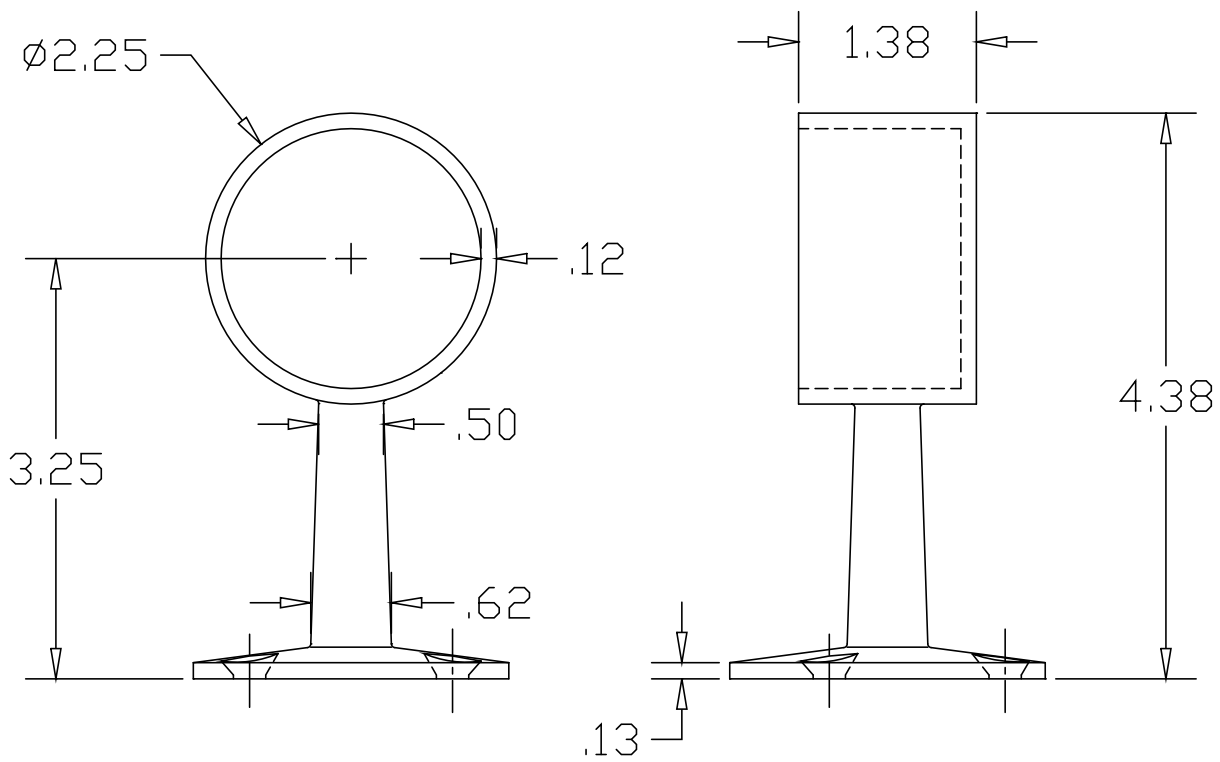


REV  
SH  
DWG NO 142030

REVISIONS			
REV	DESCRIPTION	DATE	APPROVED



(3) #10 X 1.75" LG.  
BRASS PHILLIPS HEAD  
WOOD SCREWS PROVIDED

PART NAME		BRASS FLAT BASE END POST		
MATERIAL		MACHINED CAST BRASS		
DATE	6/28/11		THE WAGNER COMPANIES R & B WAGNER, INC. AND J. G. BRAUN CO.	
DRAWN BY	RDC			
FINISH	#7 BRITE			
SIZE	A	WEIGHT	PART NUMBER	142030
			REV	

