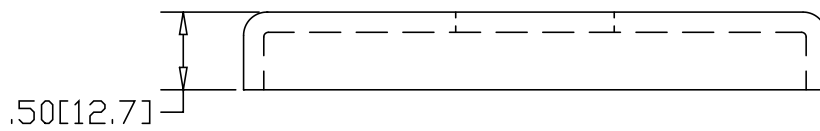
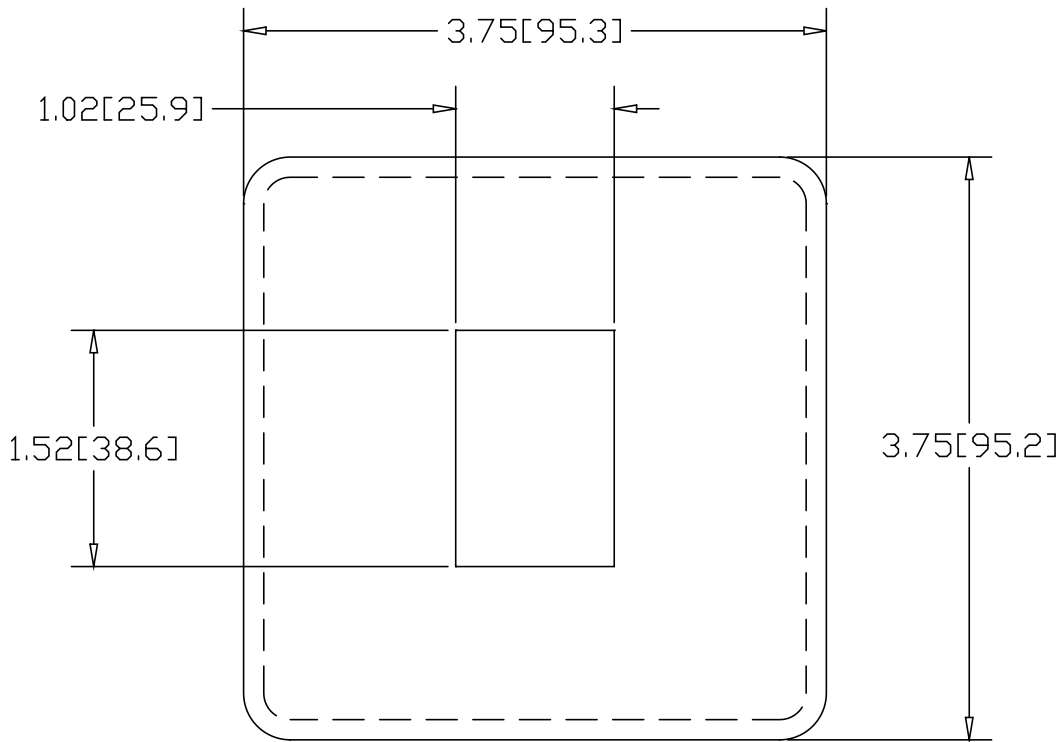



REV
SH
8750
DWG NO

REVISIONS			
REV	DESCRIPTION	DATE	APPROVED



INCHES [MILLIMETERS]

ALTERNATE MATERIAL	PART NUMBER
.125 (3003) ALUMINUM ASTM B-209	8820
10 GA. (304) STAINLESS STEEL ASTM A240	8890

PART NAME		1.50 X 1" RECT. TUBE HFB FLANGE		
MATERIAL		10 GA. HRP&D STEEL ASTM A-569		
DATE	6/20/95	 R & B WAGNER, INC.		
DRAWN BY	RJF			
FINISH	MILL			
SIZE	WEIGHT	PART NUMBER	REV	
A	.56 LBS	8750		