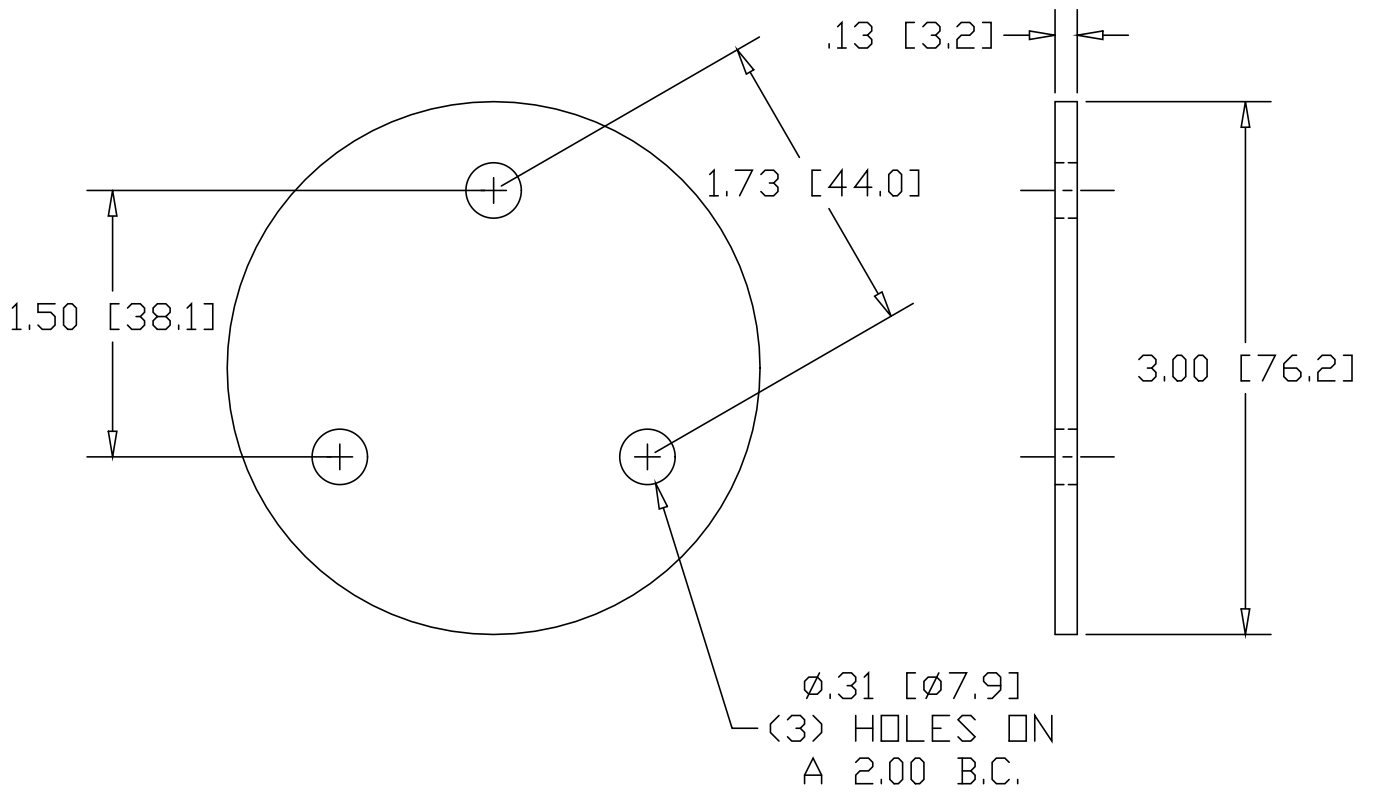


REV
SH
DWG NO


D135H

REVISIONS			
REV	DESCRIPTION	DATE	APPROVED



INCHES[MILLIMETERS]

ALTERNATE MATERIAL	PART NUMBER
.125 (3003) ALUMINUM ASTM B209	D136H
10 GA. (304) STAINLESS STEEL ASTM A240	D137H

PART NAME 3.00" BASE DISK WITH (3) MTG HOLES			
MATERIAL 10 GA. HRP&O STEEL ASTM A569			
DATE 11/20/98		THE WAGNER COMPANIES R & B WAGNER, INC. AND J. G. BRAUN CO.	
DRAWN BY RJF			
FINISH MILL			
SIZE A	WEIGHT .25 LBS	PART NUMBER D135H	REV