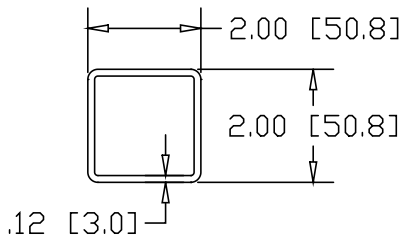
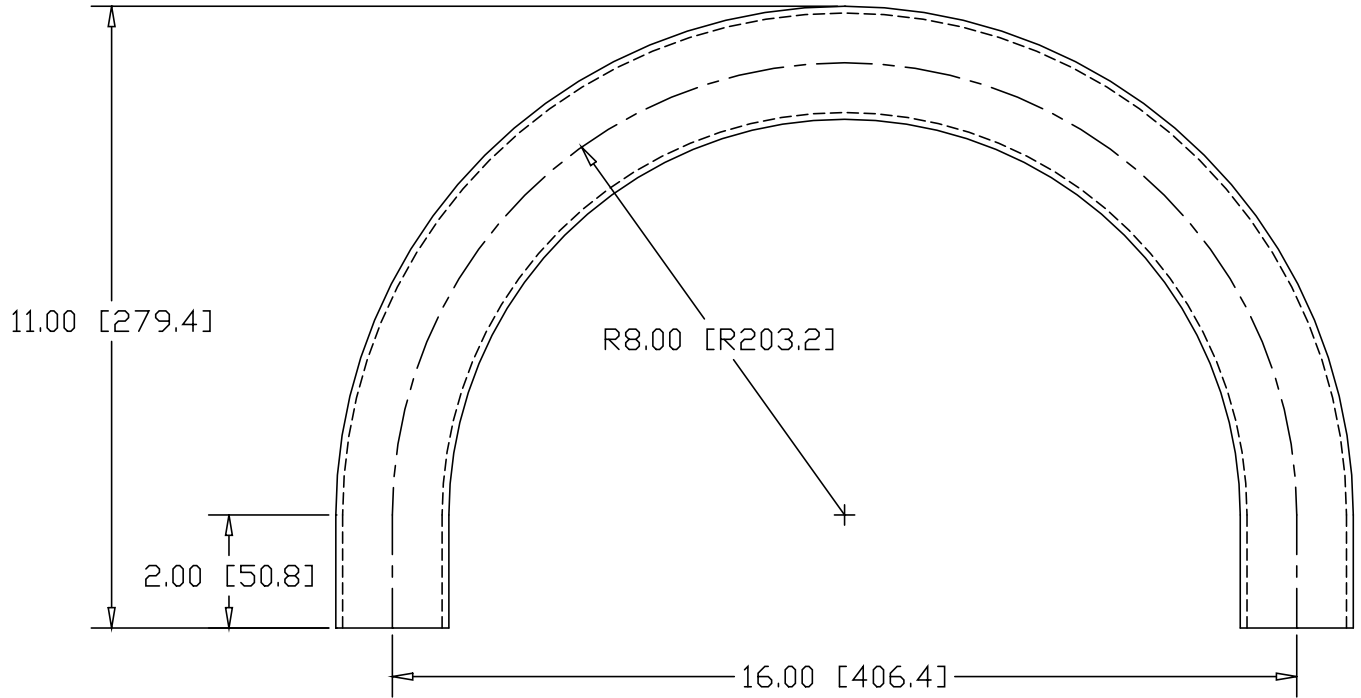



REV
SH
6393
DWG NO

REVISIONS			
REV	DESCRIPTION	DATE	APPROVED



INCHES [MILLIMETERS]

PART NAME 2.00" SQUARE STEEL 180° X 8.00"CLR ELL W/(2) 2" TANGENTS			
MATERIAL 2.00" X .120W SQUARE STEEL TUBE			
DATE	10/3/00	 THE WAGNER COMPANIES R & B WAGNER, INC. AND J. G. BRAUN CO.	
DRAWN BY	RJF		
FINISH	MILL		
SIZE	A	WEIGHT	7.14 LBS
		PART NUMBER	6393
			REV