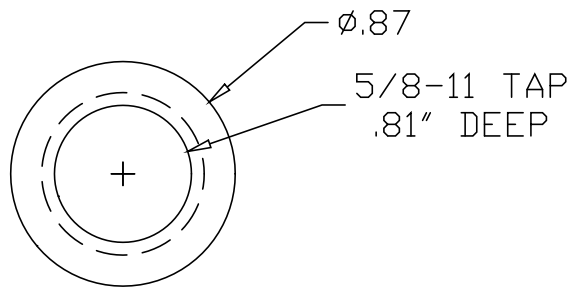
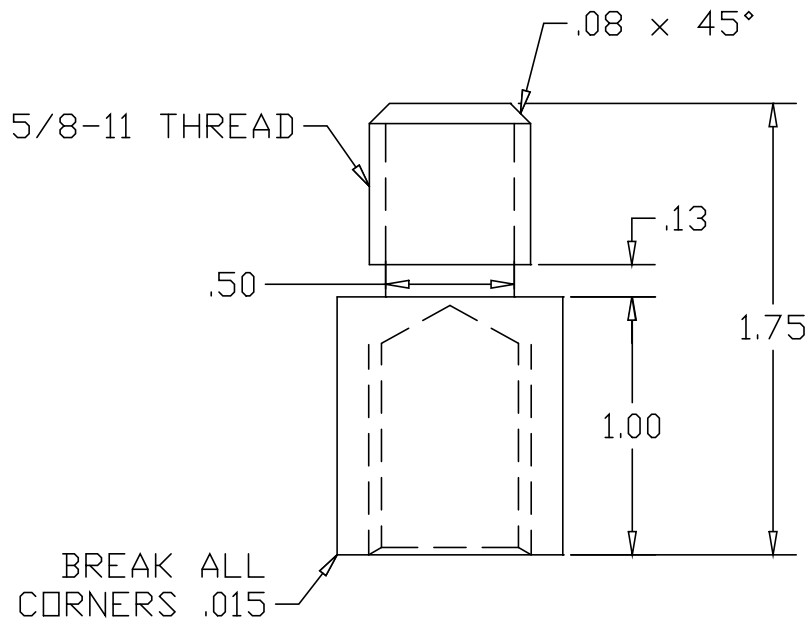



REV  
SH  
PP1B  
DWG NO

REVISIONS			
REV	DESCRIPTION	DATE	APPROVED



UNLESS OTHERWISE SPECIFIED DIMENSIONS ON THIS DRAWING ARE SUBJECT TO THE FOLLOWING TOLERANCES:

X.X	=	.100
X.XX	=	.030
X.XXX	=	.010

PART NAME		HUB, POLISHING PULLEY		
MATERIAL		$\phi .875$ 1018 STEEL		
DATE	02/04/03	 <b>THE WAGNER COMPANIES</b> R & B WAGNER, INC. AND J. G. BRAUN CO.		
DRAWN BY	RJF			
FINISH	MILL	SIZE	WEIGHT	PART NUMBER
		A	.16 LBS	PP1B
				REV