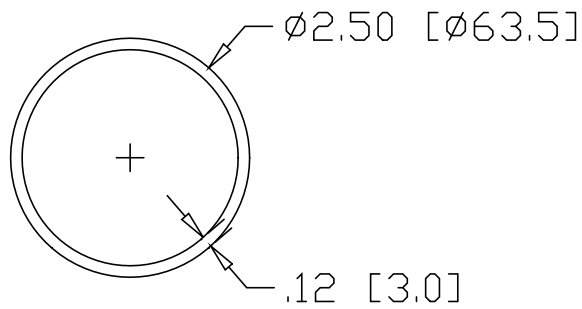
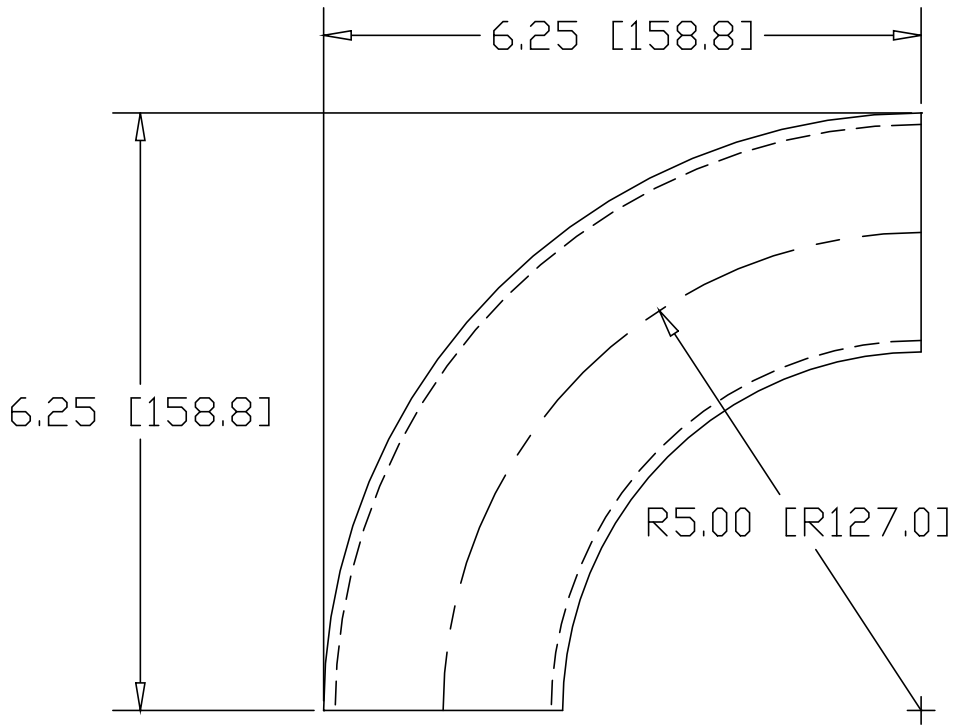



REV
SH
DWG NO 9610

REVISIONS			
REV	DESCRIPTION	DATE	APPROVED



INCHES MILLIMETERS

ALTERNATE MATERIAL	PART NUMBER
2.50" OD X .125W (6061) ALUMINUM TUBE	9613

PART NAME		2.50" OD X 5" CLR 90° BEND					
MATERIAL		2.50" OD X .120W STEEL TUBE					
DATE	9/12/00	 R & B WAGNER, INC.					
DRAWN BY	RJF						
FINISH	MILL						
SIZE	A	WEIGHT	2.0 LBS	PART NUMBER	9610	REV	