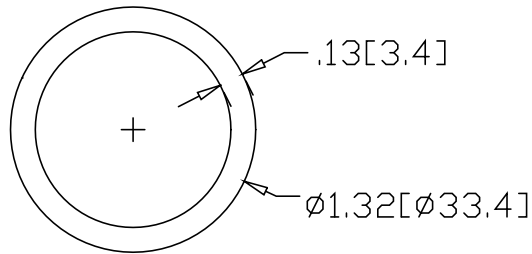
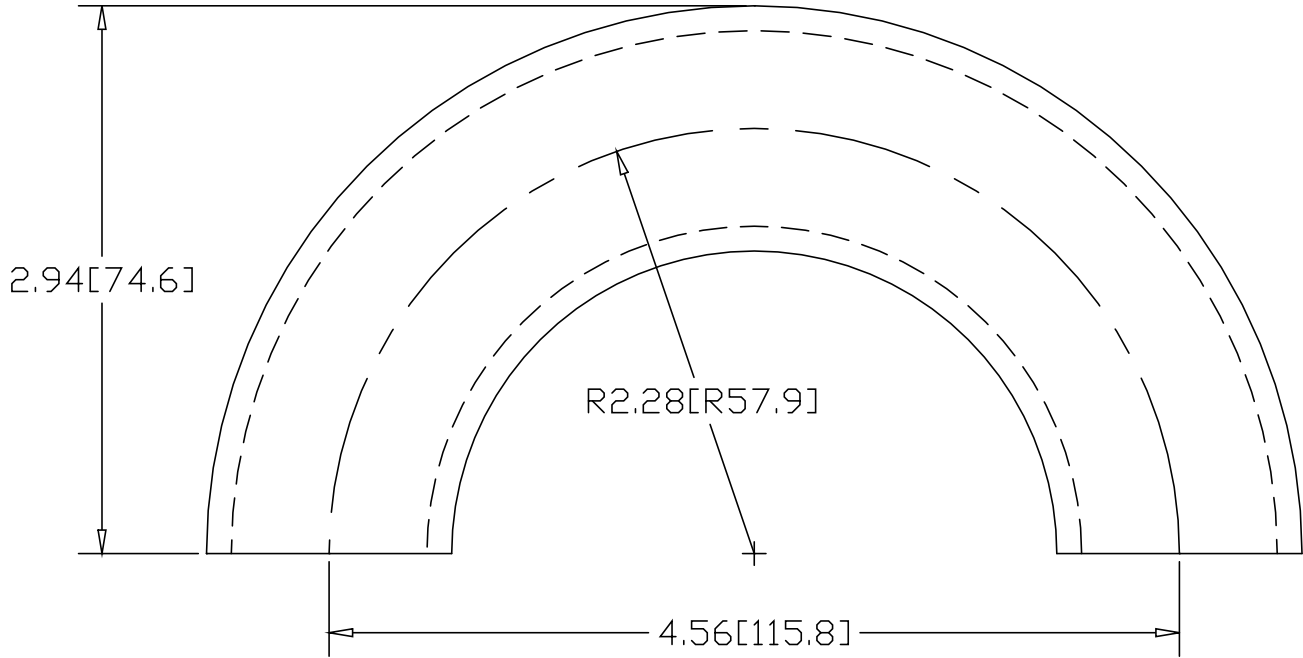



REV  
SH  
DWG NO 4513

REVISIONS			
REV	DESCRIPTION	DATE	APPROVED



INCHES [MILLIMETERS]

ALTERNATE MATERIAL	PART NUMBER
1" SCH 40 (6063) ALUMINUM PIPE	4527
1" SCH 40 (304) STAINLESS STEEL PIPE	4541

PART NAME		1" PIPE SIZE 180° ELL X 1-5/8" I.R.					
MATERIAL		1" SCH 40 A53 STEEL PIPE					
DATE	8/18/95	 <b>R &amp; B WAGNER, INC.</b>					
DRAWN BY	RJF						
FINISH	MILL						
SIZE	A	WEIGHT	1.0 LBS	PART NUMBER	4513	REV	