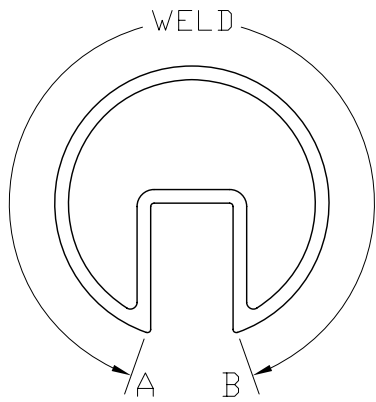
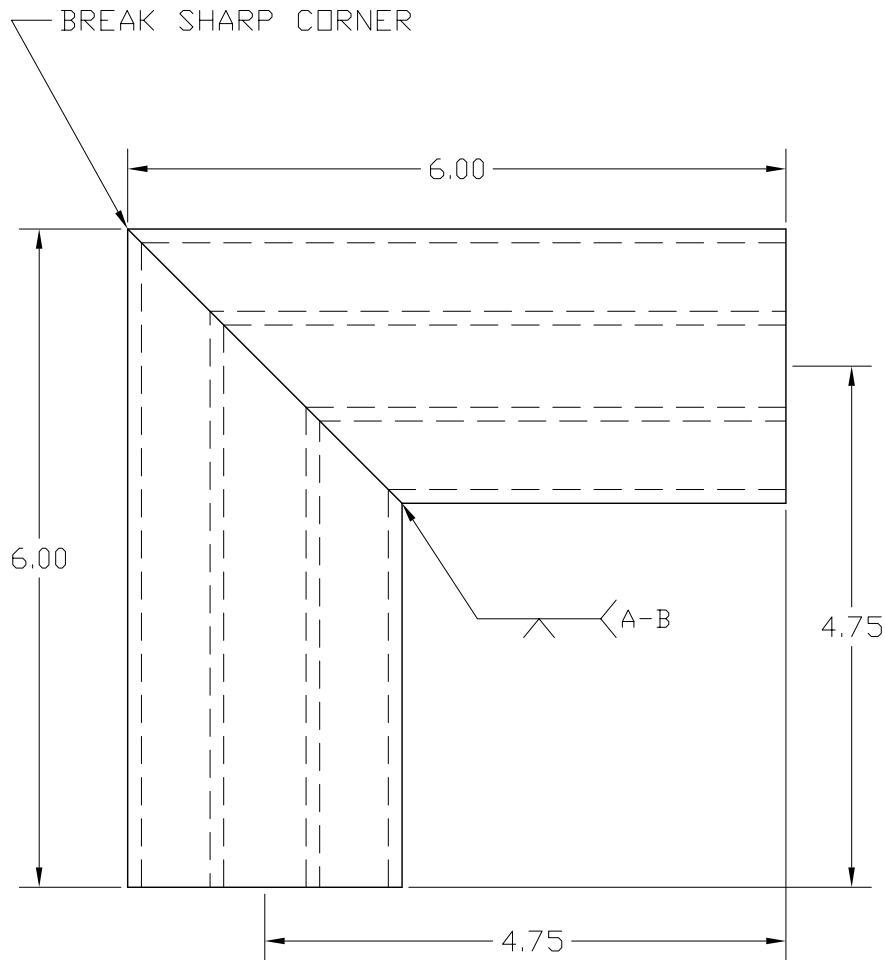



REV B
SH
DWG NO GR2250MK

REVISIONS			
REV	DESCRIPTION	DATE	APPROVED
A	CHANGED TO EPOXY, ADDED STIFFENER	08/09/06	RJF
B	REMOVED EPOXY REFERENCE	05/30/12	RJF



PART NAME		CAPRAIL MITERED CORNER 90 DEGREE HORIZONTAL		
MATERIAL		2.50" OD X .109W 6063 ALUMINUM CAPRAIL		
DATE	10/23/03	 THE WAGNER COMPANIES R & B WAGNER, INC. AND J. G. BRAUN CO.		
DRAWN BY	RJF			
FINISH	MILL	SIZE	WEIGHT	PART NUMBER
		A		GR2250MK
				REV B