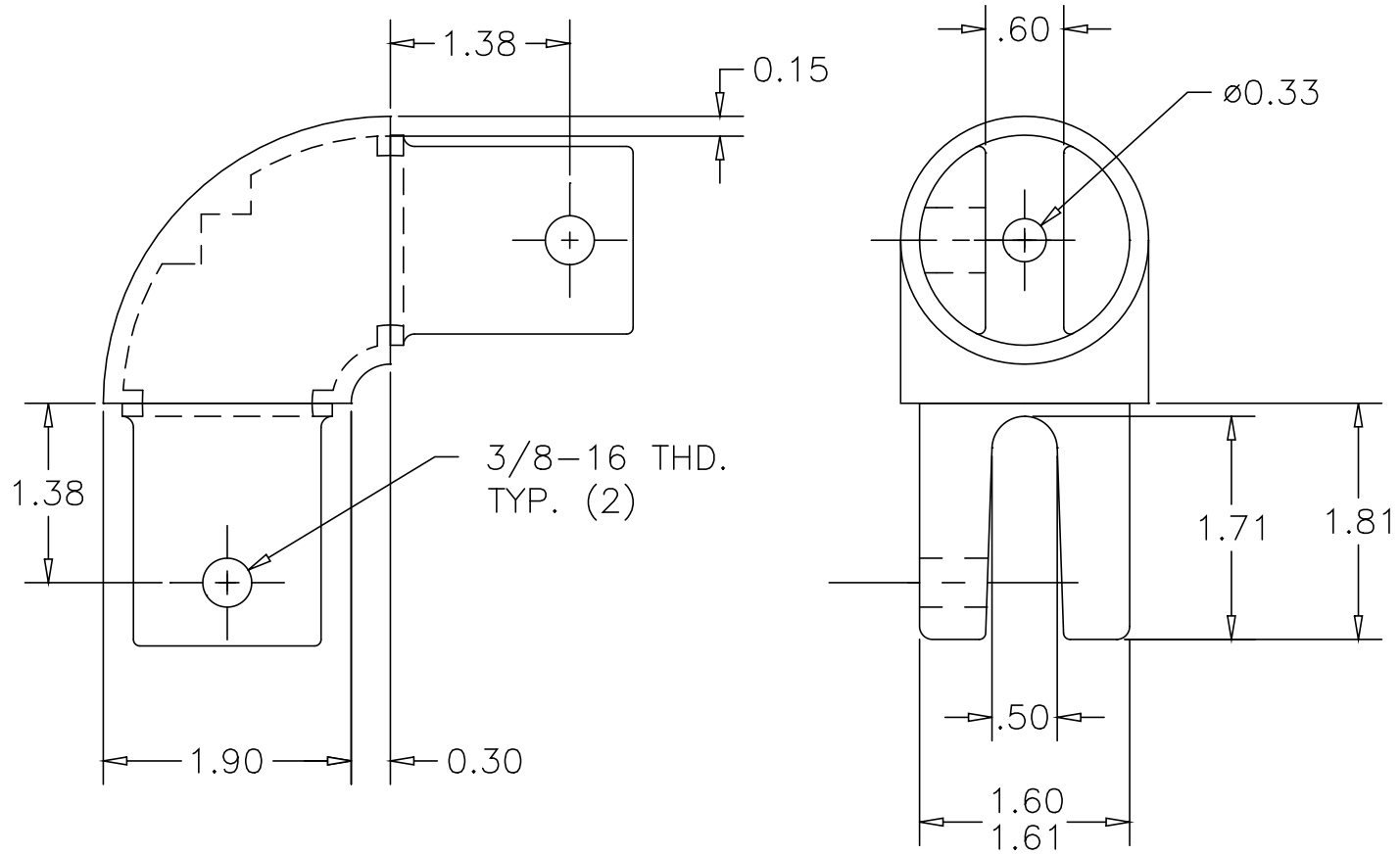



REVISIONS			
REV	DESCRIPTION	DATE	APPROVED



MATERIAL	CAST ALUMINUM	PART NAME	ELBOW
DATE	8/18/92	 R & B WAGNER, INC.	
DRAWN BY	RJF		
FINISH		SIZE	JOB NUMBER
		A	
		PART NUMBER	IR130
		REV	