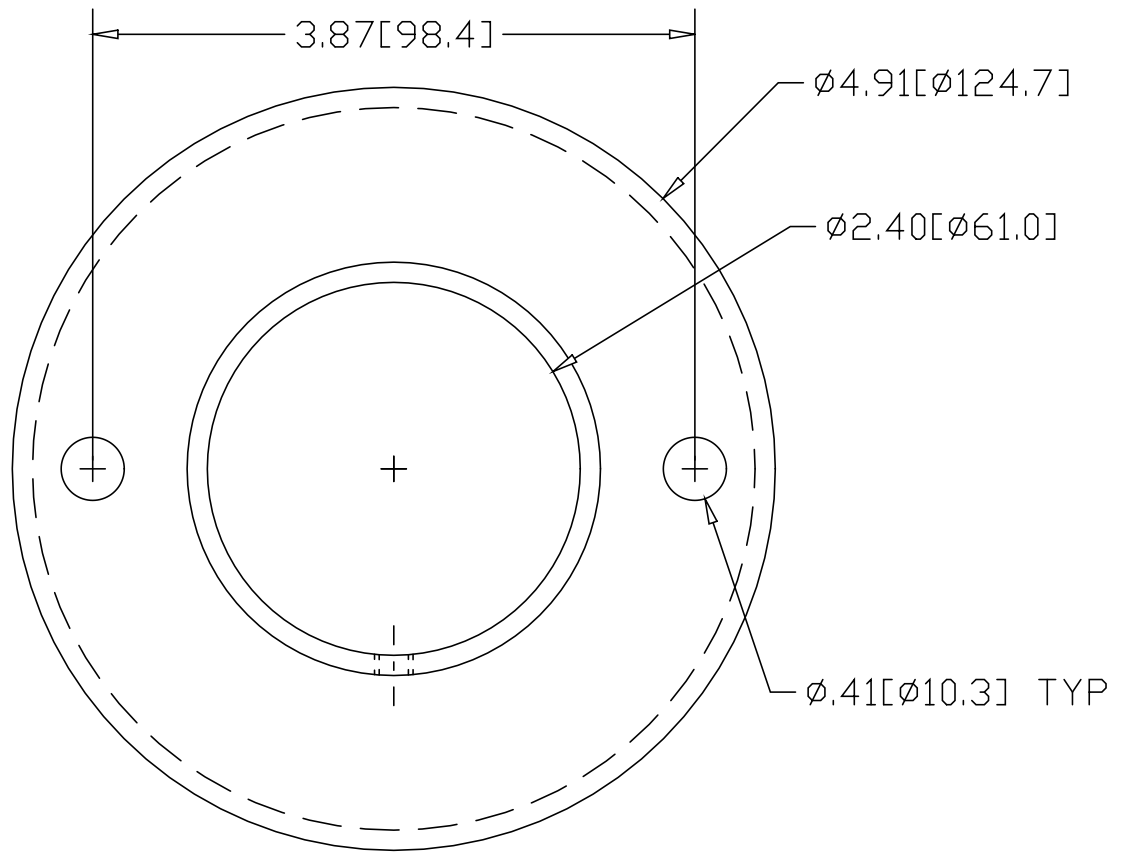
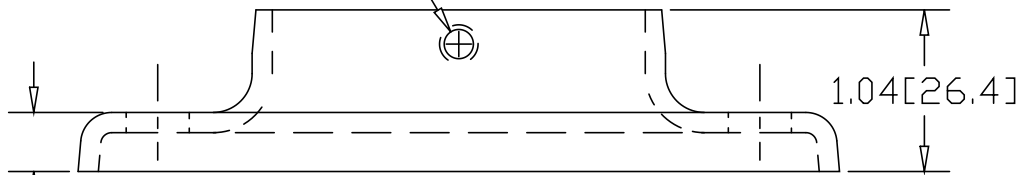


REV
SH
1446
DWG NO

REVISIONS			
REV	DESCRIPTION	DATE	APPROVED




1/4-20
SET-SCREW



.38[9.7]

INCHES [MILLIMETERS]

ALTERNATE MATERIAL	PART NUMBER
.125 (3003) ALUMINUM ASTM B209	1486
10 GA. (304) STAINLESS STEEL ASTM A240	1546

PART NAME 2" PIPE HEAVY BASE FLANGE W/⟨2⟩ HOLES AND SET-SCREW				
MATERIAL 10 GA. HRP&D STEEL ASTM A569				
DATE 9/14/94	 R & B WAGNER, INC.			
DRAWN BY RJF				
FINISH MILL	SIZE A	WEIGHT .72 LBS	PART NUMBER 1446	REV