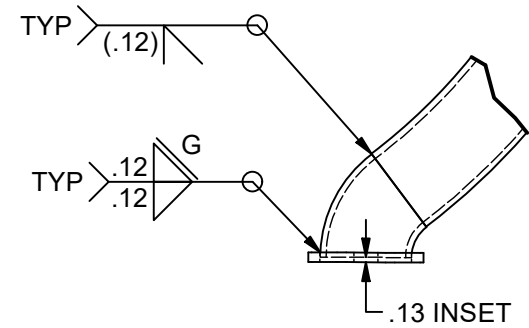
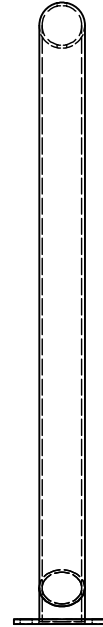
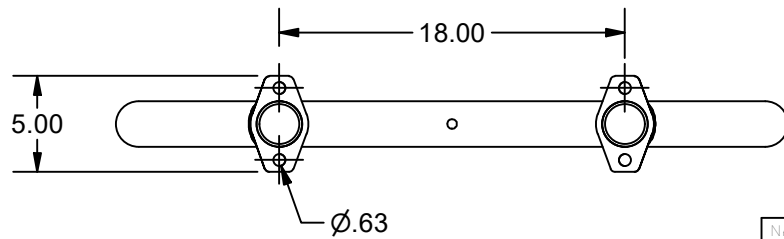
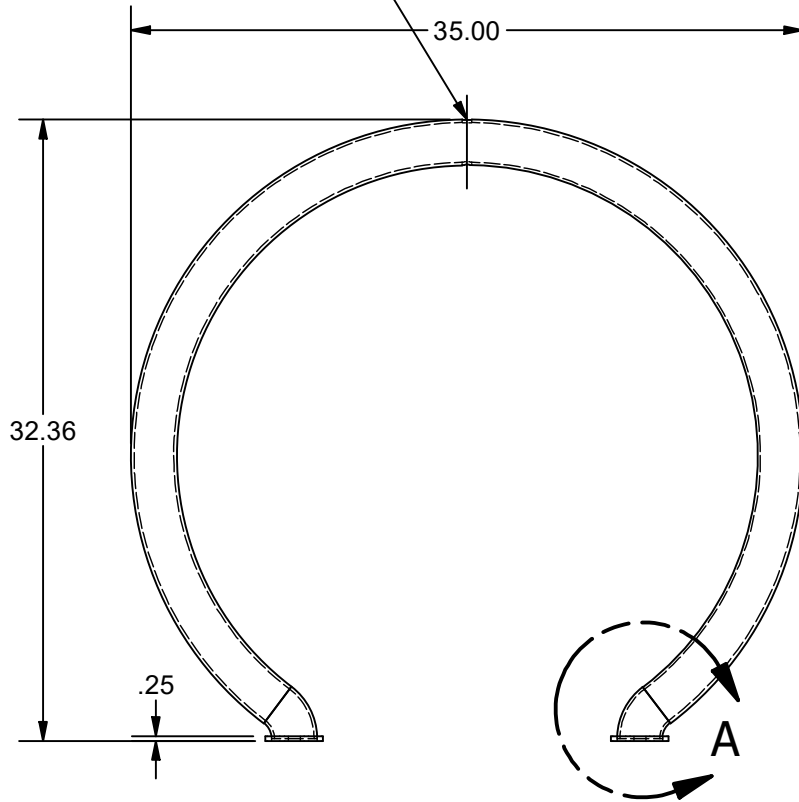

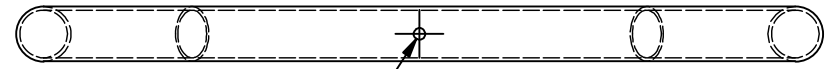


Ø.50 VENT HOLE  
THRU BOTH WALLS,  
PLUG TOP WALL ONLY  
AFTER GALVANIZING.

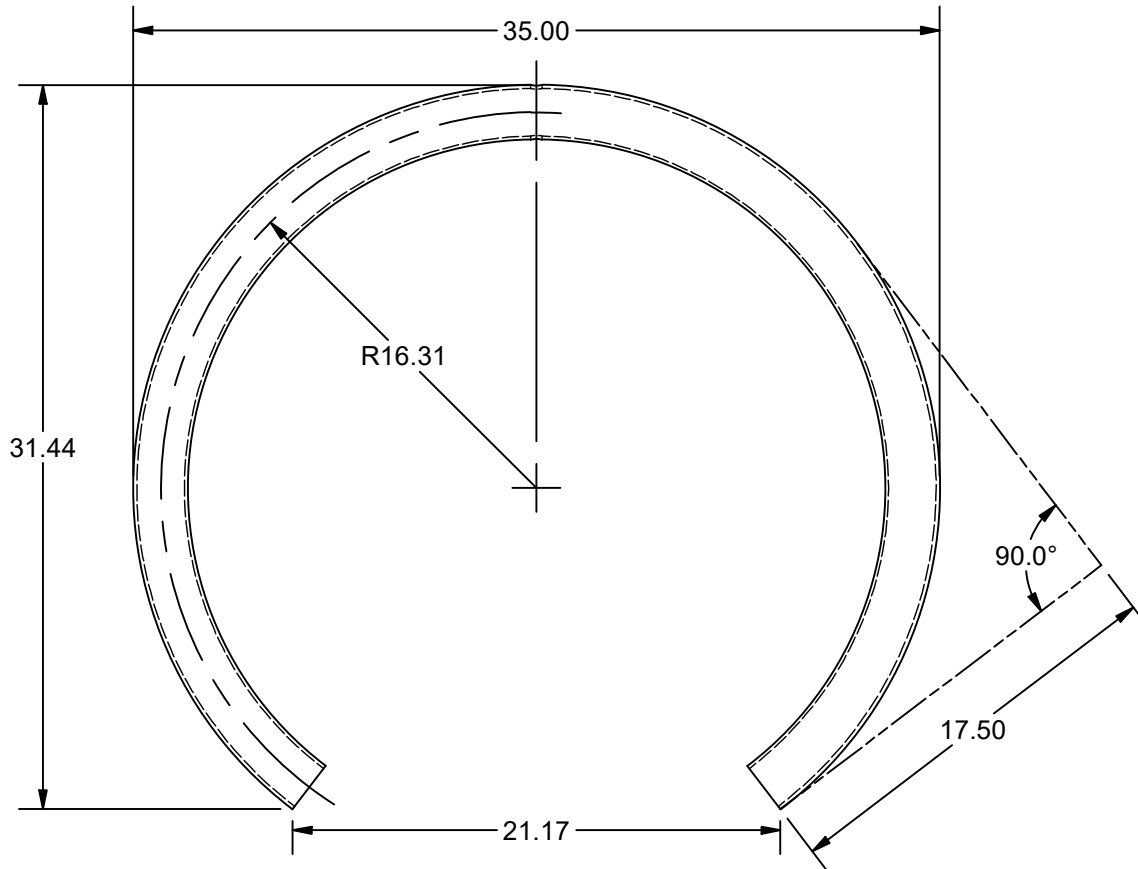


DETAIL A

NAME		BIKE RACK, CIRCLE			
MATERIAL		2" SCH 40 STEEL PIPE			
DATE	6/2/2021	COLLABORATIVE METAL WORKS			
DRAWN	RJF				
FINISH		 <b>WAGNER</b> ™			
HOT DIP GALVANIZED					
SIZE	A	WEIGHT	27.34 LBS	PART NUMBER	BRC
				REV	




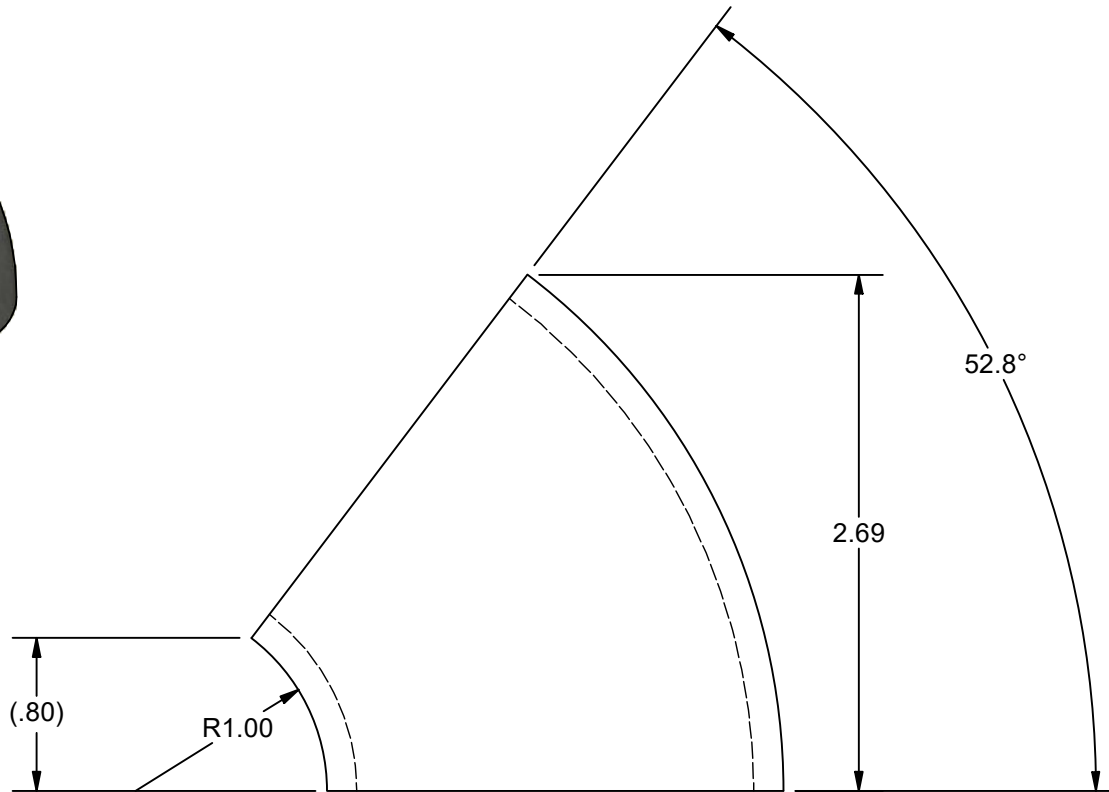
Ø.500 THRU BOTH WALLS




ROLL BEND DATA

DL	TAN	TAN	ARC	CHORD	CLR	ANGLE
100.00	8.00	8.00	84.00	17.50	16.31	295.1

NAME		BIKE RACK, CIRCLE			
MATERIAL		2" SCH 40 STEEL PIPE			
DATE	6/2/2021	COLLABORATIVE METAL WORKS			
DRAWN	RJF				
FINISH		 <b>WAGNER</b> ™		PART NUMBER	
HOT DIP GALVANIZED				SIZE	WEIGHT
		A	27.34 LBS	BRC	



MK-BRCA  
 TRIM FROM ELBOW #410  
 (2) REQ'D PER UNIT

NAME		BIKE RACK, CIRCLE					
MATERIAL		2" SCH 40 STEEL PIPE					
DATE	6/2/2021	COLLABORATIVE METAL WORKS					
DRAWN	RJF						
FINISH	HOT DIP GALVANIZED						
SIZE	A				WEIGHT	27.34 LBS	PART NUMBER