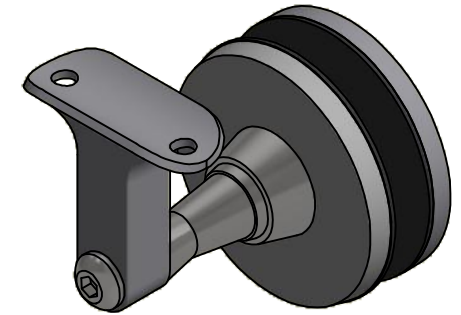
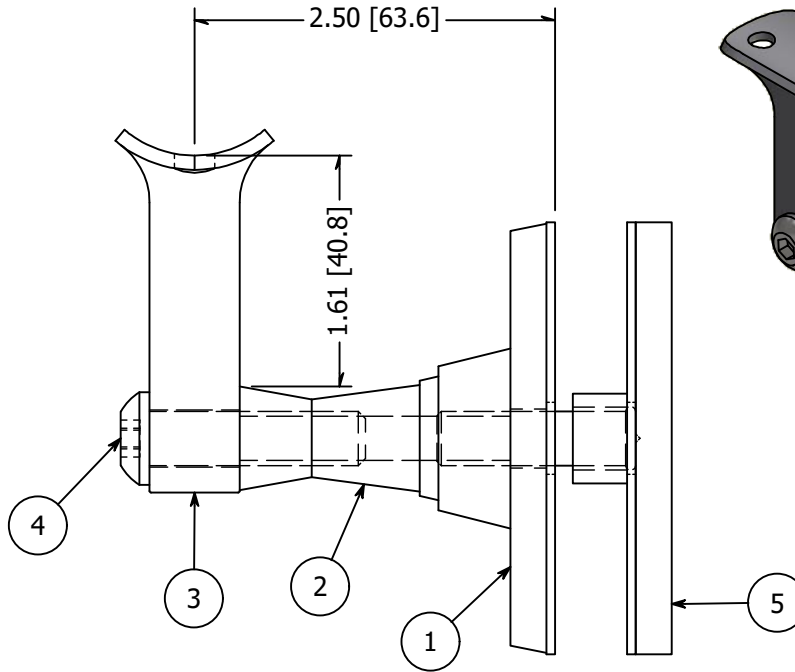
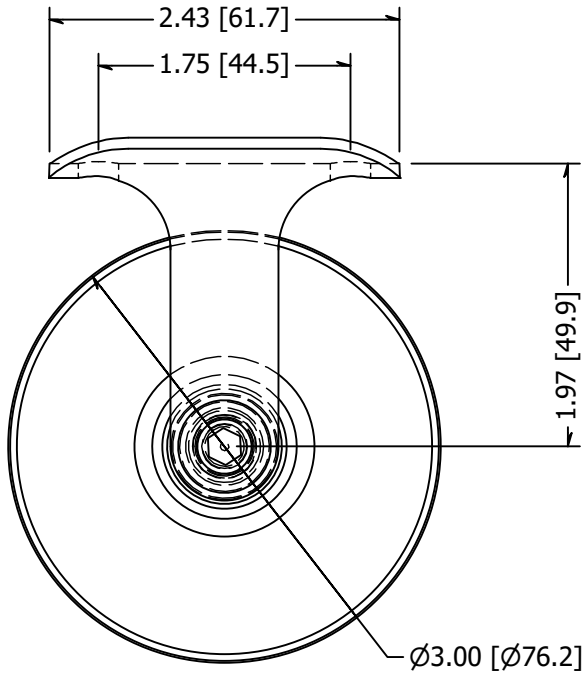


PARTS LIST

ITEM	QTY	PART NUMBER	DESCRIPTION
1	1	DS901	3" Round Backing Disk for Wall Mount
2	1	RS250	Handrail Bracket Arm, SS, 1-7/8 Inch Long, 3/8-16 Tapped Through, Type 304
3	1	S3502	Handrail Bracket Saddle And Vertical Arm, SS, Cast, #4 Finish, Type 316, Bolt Style
4	1	BAH3N3816-0150	SCREW, SS, 3/8-16 X 1.50 Inch, Button, Allen Head
5	1	GB4383K	GLASS MOUNT ADAPTER KIT SS #4



REVISION HISTORY

REV	DESCRIPTION	DATE
1	REMOVE SADDLE ASSEMBLY	1/22/2014
2	CHANGE GLASS MOUNT ADAPTER TO GB4383K	2/11/2021

TOLERANCE UNLESS OTHERWISE NOTED, TOLERANCES TO CONFORM TO ES.03.011	MATERIAL: 304 Stainless	DESCRIPTION: Handrail Bracket, SS, Glass Mount, 1/2 Inch, 2-1/2 Inch From Glass To Center	
	FINISH: #4	DATE: 2/11/2021	REV: 1
	WEIGHT: N/A	DRAWN BY: K. Turdo	GB3251
	ITEM NUMBER: GB3251		

WAGNER 10600 W Brown Deer Rd
Milwaukee, WI 53224
COLLABORATIVE METALWORKS <http://www.wagnercompanies.com/>