

REV

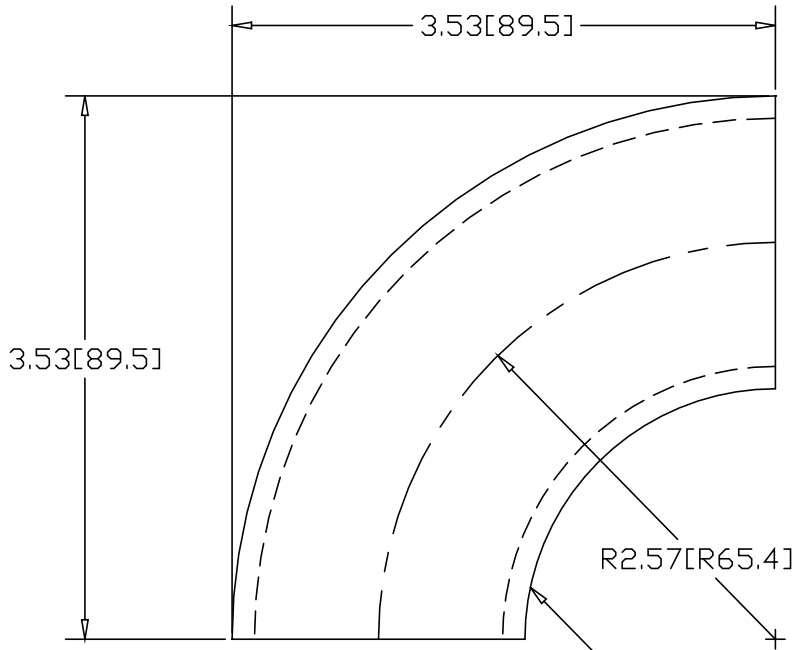
SH

DWG NO
4464

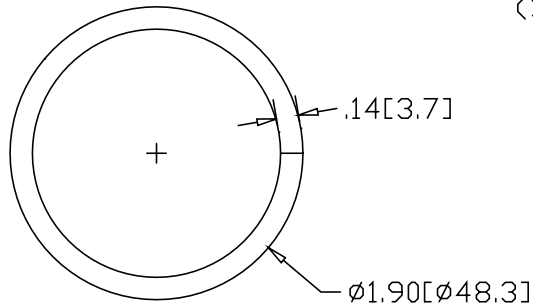
REV

REVISIONS

REV	DESCRIPTION	DATE	APPROVED
-----	-------------	------	----------




NOTE: UNWELDED SEAM
ALONG INSIDE RADIUS
(STEEL ELLS ONLY)



INCHES [MILLIMETERS]

ALTERNATE MATERIAL	PART NUMBER
1-1/2" SCH 40 (6063) ALUMINUM PIPE	4474
1-1/2" SCH 40 (304) STAINLESS STEEL PIPE	4684

PART NAME		1-1/2" PIPE SIZE 90° ELL X 1-5/8" I.R.	
MATERIAL		10 GA. HRP&D STEEL ASTM A569	
DATE	8/18/95	 R & B WAGNER, INC.	
DRAWN BY	RJF		
FINISH	MILL	SIZE	A
		WEIGHT	.81 LBS
		PART NUMBER	4464
		REV	