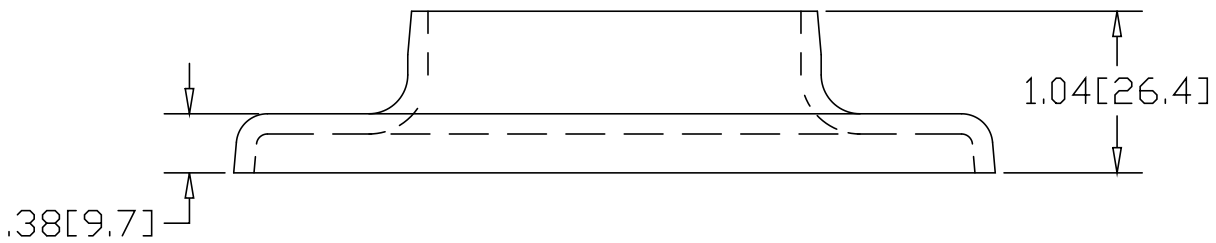
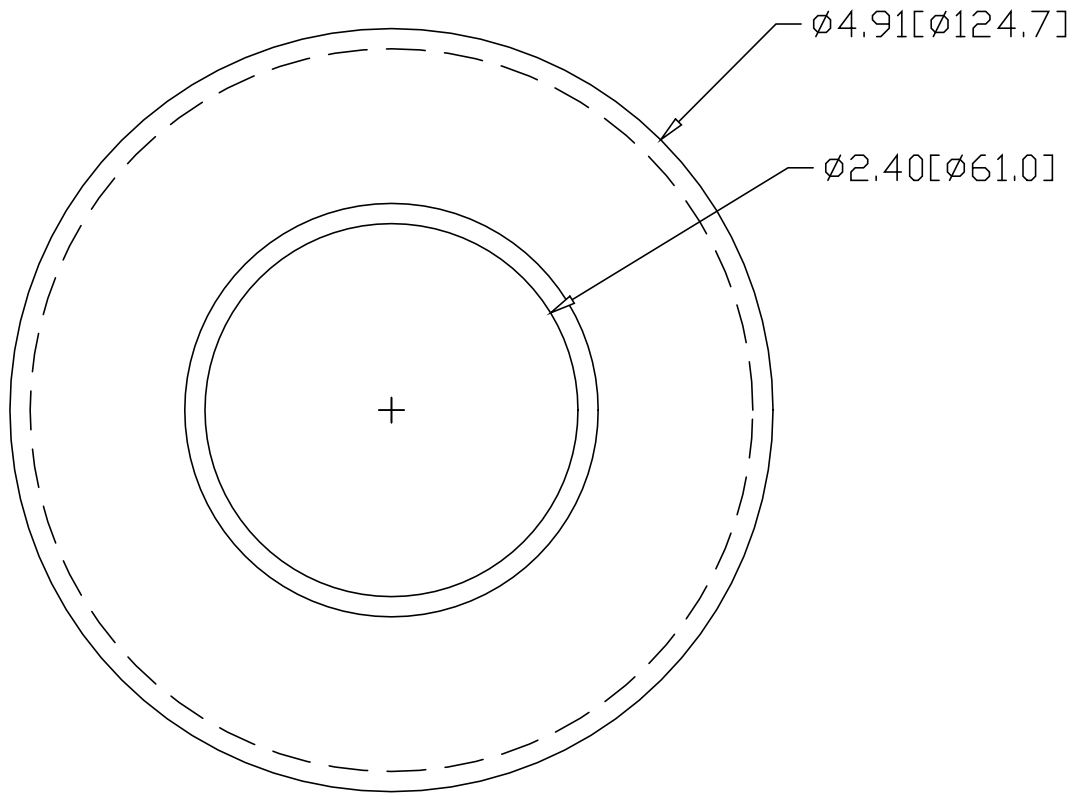



REV  
SH  
1442  
DWG NO

REVISIONS			
REV	DESCRIPTION	DATE	APPROVED



INCHES [MILLIMETERS]

ALTERNATE MATERIAL	PART NUMBER
.125 (3003) ALUMINUM ASTM B209	1482
10 GA. (304) STAINLESS STEEL ASTM A240	1542
.125 (280) MUNTZ METAL	BZ1442

PART NAME		2" PIPE HEAVY BASE FLANGE		
MATERIAL		10 GA. HRP&D STEEL ASTM A569		
DATE	9/14/94	 <b>R &amp; B WAGNER, INC.</b>		
DRAWN BY	RJF			
FINISH	MILL	SIZE	WEIGHT	PART NUMBER
		A	.72 LBS	1442
				REV