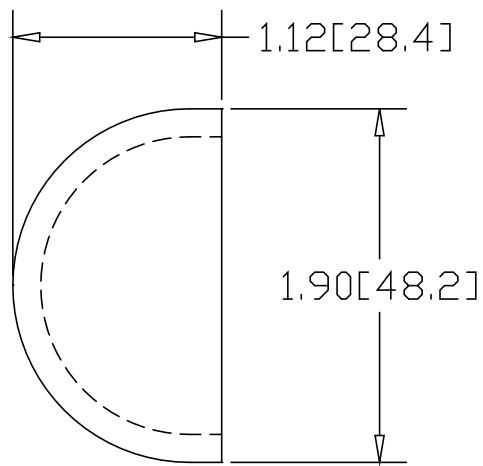
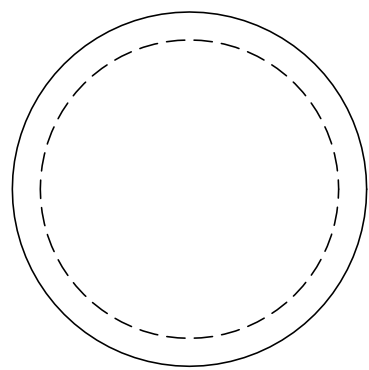
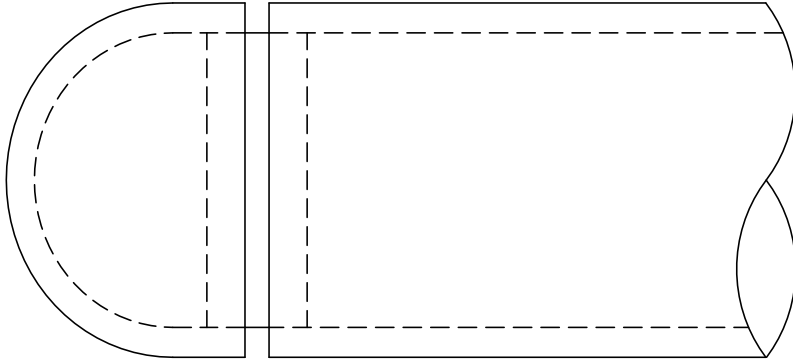
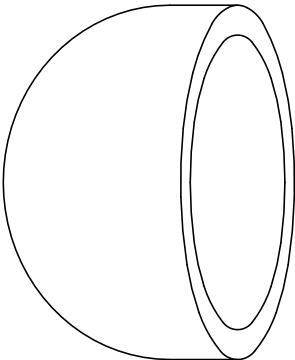



REV
SH
DWG NO 3220

| REVISIONS | | | |
|-----------|-------------|------|----------|
| REV | DESCRIPTION | DATE | APPROVED |



INCHES [MILLIMETERS]

| ALTERNATE MATERIAL | PART NUMBER |
|-------------------------------------|-------------|
| .125 (3003) ALUMINUM ASTM B209 | 3240 |
| 11 GA 304 STAINLESS STEEL ASTM A240 | 3260 |
| .125 (280) MUNTZ | BZ3220 |

| | | | |
|---|----------|---|-----|
| PART NAME 1-1/2" PIPE SIZE TYPE-C FLUSH WELD-ON END CAP | | | |
| MATERIAL 10 GA. HRP&D STEEL ASTM A569 | | | |
| DATE | 10/11/96 |  THE WAGNER COMPANIES R & B WAGNER, INC. AND J. G. BRAUN CO. | |
| DRAWN BY | RJF | | |
| FINISH | MILL | | |
| SIZE | WEIGHT | PART NUMBER | REV |
| A | .22 LBS | 3220 | |