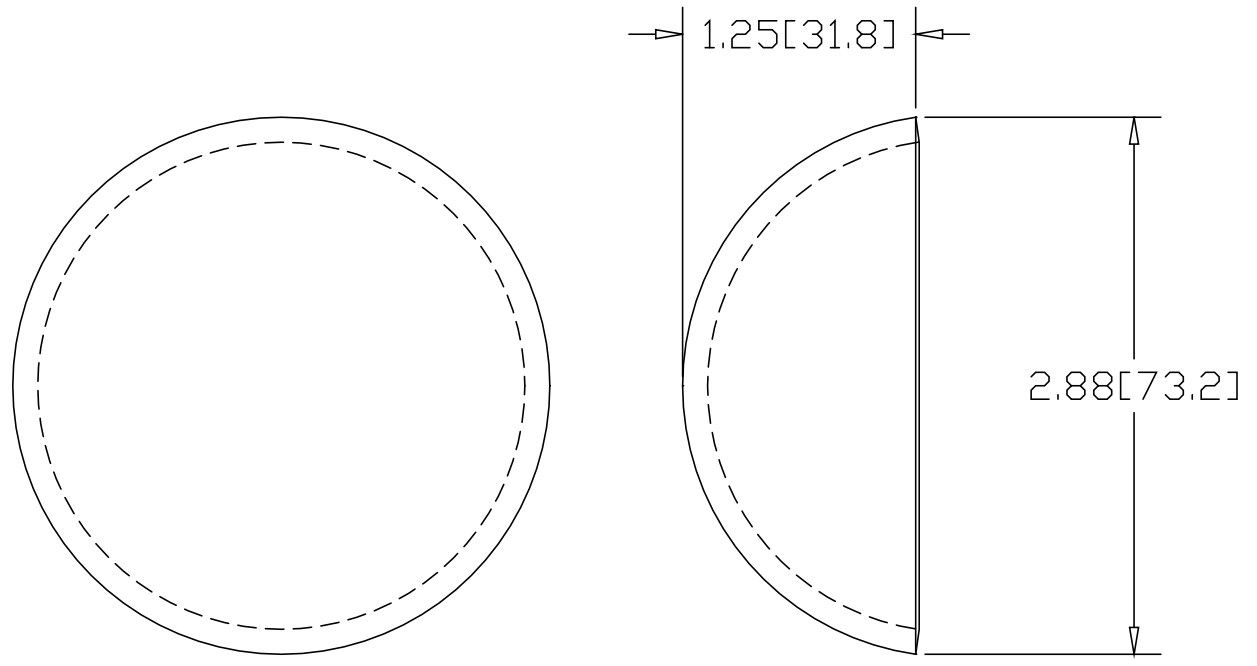



REV
SH
3224
DWG NO

| REVISIONS | | | |
|-----------|-------------|------|----------|
| REV | DESCRIPTION | DATE | APPROVED |



INCHES [MILLIMETERS]

| ALTERNATE MATERIAL | PART NUMBER |
|-------------------------------------|-------------|
| .125 (3003) ALUMINUM ASTM B209 | 3244 |
| 11 GA 304 STAINLESS STEEL ASTM A240 | 3264 |

| | | | | |
|---|---|--------|----------------|------------------|
| PART NAME 2-1/2" PIPE SIZE TYPE-C FLUSH WELD-ON END CAP | | | | |
| MATERIAL 10 GA. HRP&D STEEL ASTM A569 | | | | |
| DATE 10/11/96 |  THE WAGNER COMPANIES R & B WAGNER, INC. AND J. G. BRAUN CO. | | | |
| DRAWN BY RJF | | | | |
| FINISH MILL | | SIZE A | WEIGHT .42 LBS | PART NUMBER 3224 |
| | | | | REV |