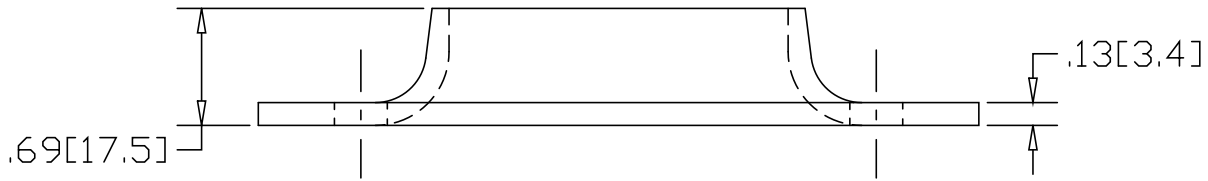
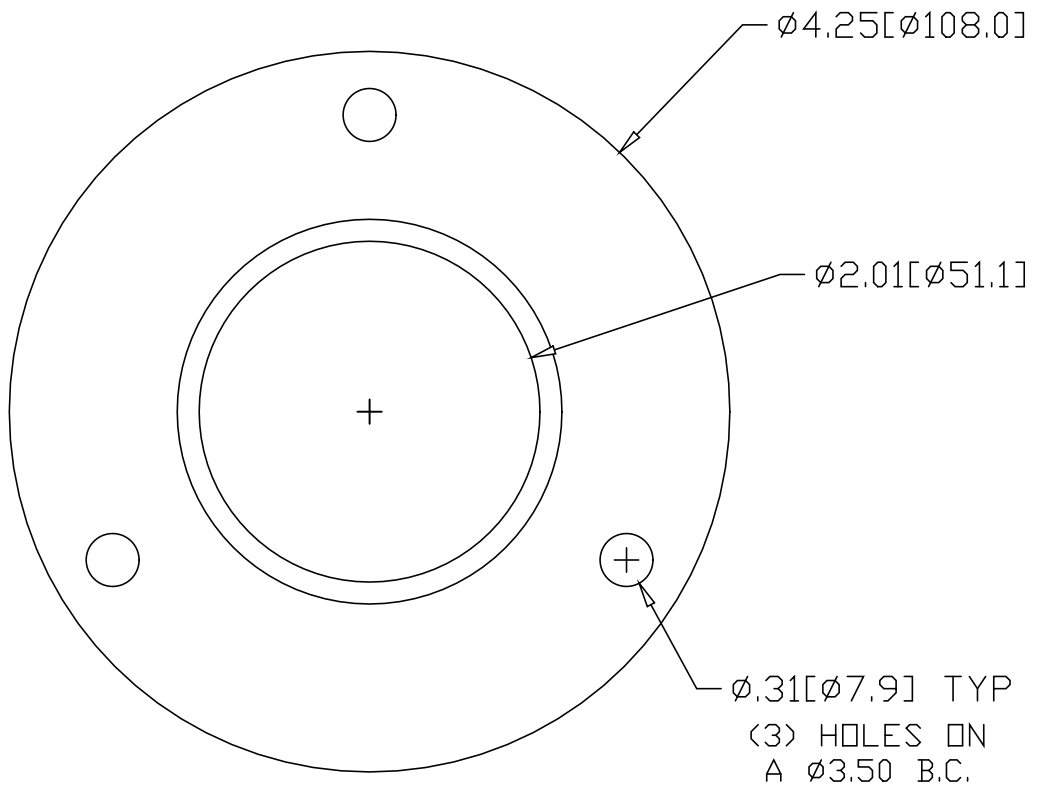



REV  
SH  
643AT  
DWG NO

REVISIONS			
REV	DESCRIPTION	DATE	APPROVED



INCHES [MILLIMETERS]

ALTERNATE MATERIAL	PART NUMBER
.125 (3003) ALUMINUM ASTM B209	683AT
10 GA. (304) STAINLESS STEEL ASTM A240	726AT

PART NAME 2" O.D. TUBE FLAT BASE FLANGE W/(3) HOLES			
MATERIAL 10 GA. HRP&D STEEL ASTM A-569			
DATE 1/11/99	 <b>R &amp; B WAGNER, INC.</b>		
DRAWN BY RJF			
FINISH MILL	SIZE A	WEIGHT .54 lbs	PART NUMBER 643AT
			REV