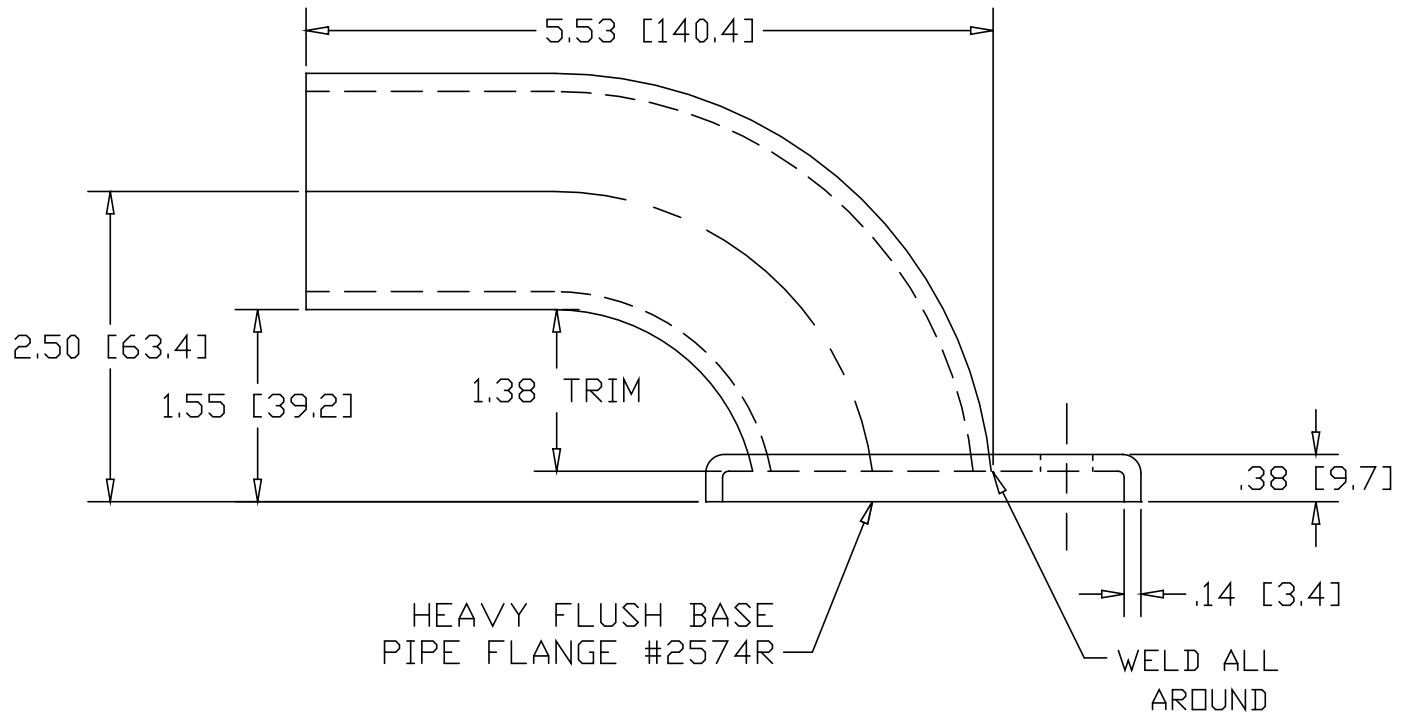
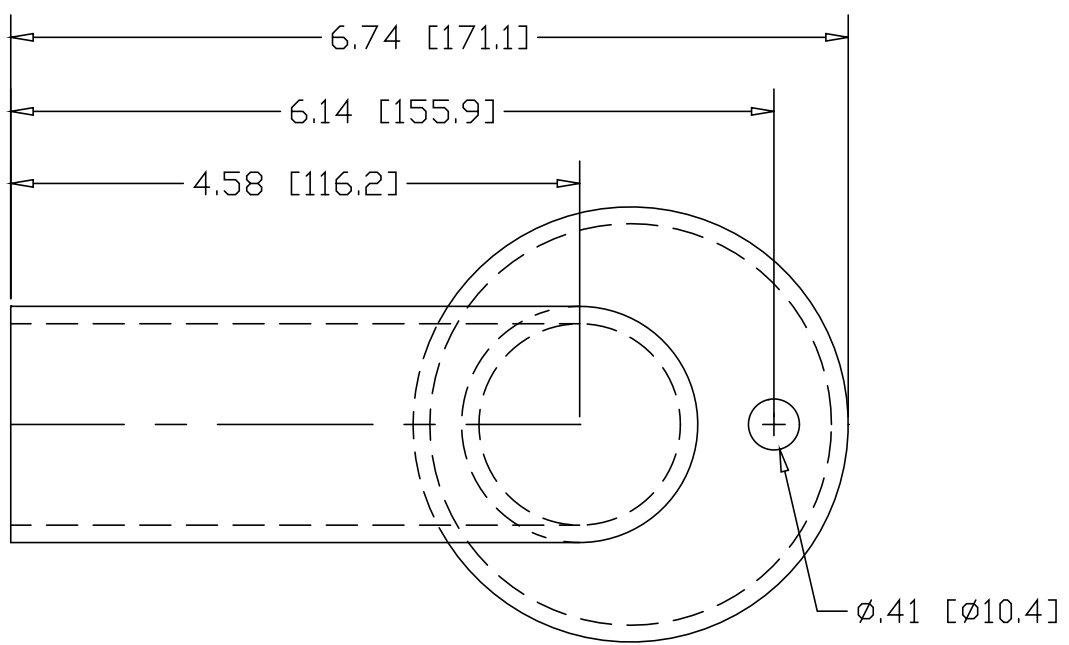


REV
SH
1139-1
DWG NO

REVISIONS			
REV	DESCRIPTION	DATE	APPROVED



INCHES [MILLIMETERS]

PART NAME 1-1/2" PIPE SIZE X 2.50CL WALL RETURN W/1 HOLE			
MATERIAL 6063 ALUMINUM PIPE			
DATE 12/27/02		THE WAGNER COMPANIES R & B WAGNER, INC. AND J. G. BRAUN CO.	
DRAWN BY JAH			
FINISH MILL			
SIZE A	WEIGHT	PART NUMBER 1139-1	REV