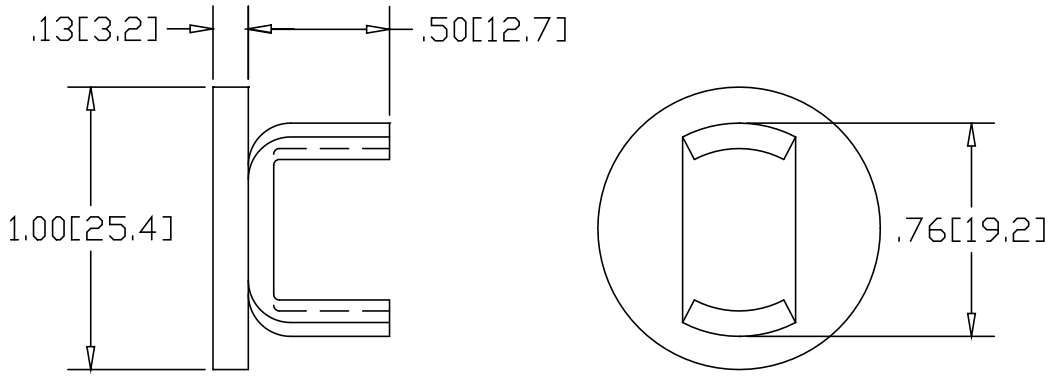



REV
SH
D001E
DWG NO

REVISIONS			
REV	DESCRIPTION	DATE	APPROVED



INCHES [MILLIMETERS]

ALTERNATE MATERIAL	PART NUMBER
.125 (3003) ALUMINUM ASTM B209	D002E
10 GA. (304) STAINLESS STEEL ASTM A240	D003E

PART NAME		1" O.D. X .120W TUBE TYPE "E" DRIVE-ON DISK					
MATERIAL		10 GA. HRP&O STEEL ASTM A569					
DATE	6/13/96	 THE WAGNER COMPANIES R & B WAGNER, INC. AND J. G. BRAUN CO.					
DRAWN BY	RJF						
FINISH	MILL						
SIZE	A	WEIGHT	.04 LBS	PART NUMBER	D001E	REV	