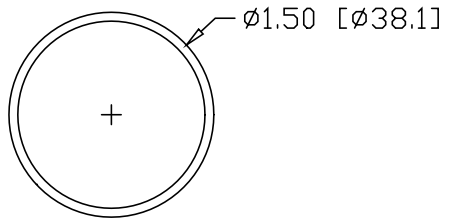
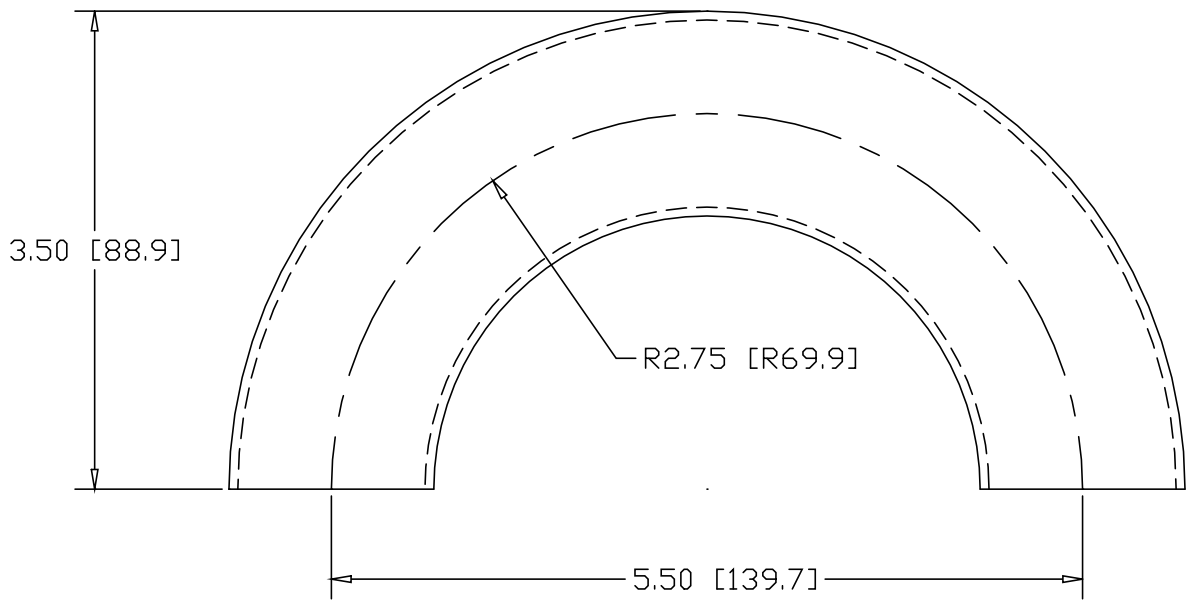



REV  
SH  
7912  
DWG NO

REVISIONS			
REV	DESCRIPTION	DATE	APPROVED



INCHES [MILLIMETERS]

ALTERNATE MATERIAL	PART NUMBER
1.50" O.D. X .125W (6061-T1) ALUMINUM TUBE	7928
1.50" O.D. X .065W (304) STAINLESS STEEL TUBE	7944

PART NAME		1.50" O.D. TUBE 180° ELL X 2.75"CLR		
MATERIAL		1.50" O.D. X .065W STEEL TUBE		
DATE	8/15/00	 <b>R &amp; B WAGNER, INC.</b>		
DRAWN BY	RJF			
FINISH	MILL			
SIZE	WEIGHT	PART NUMBER	REV	
A	.72 LBS	7912		