

2

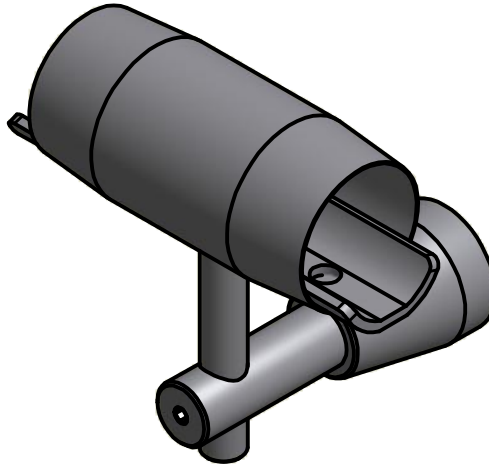


1

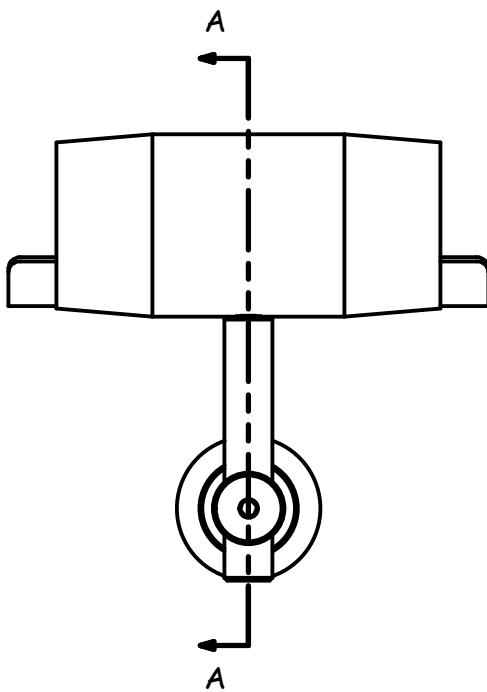
## PARTS LIST

ITEM	QTY	PART NUMBER	DESCRIPTION
1	1	SHC3N2520-0300	SCREW SS 1/4-20 X 3.00 SOCKET HEAD
3	1	WR3166SFB	BRACKET SLIP FIT BARREL BRACKET MOUNT
4	1	WR3166SFC	BRACKET SLIP STRIP CLAMP BRACKET MOUNT
6	1	WR3166SFVARM	BRACKET SLIP FIT VERTICAL POST SS
7	1	WR3166SFHARM	BRACKET SLIP FIT HORIZONTAL POST SS
8	1	GR3166SFHUB	BRACKET SLIP FIT HUB SS
9	2	SAP3N2520-0025	SCREW SS 1/4-20 X .25 SKT HEAD SET SCREW

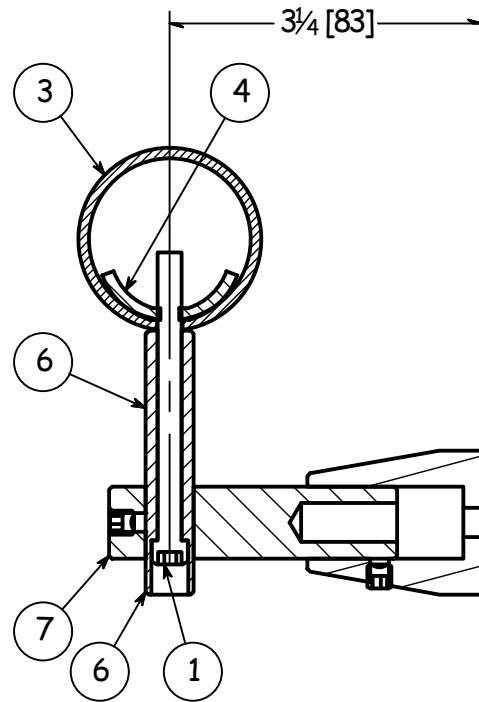
B



B



A



A

SECTION A-A

CUT LENGTH:	DESCRIPTION: BRACKET ASSEMBLY SLIP FIT			
DEVELOPED LENGTH:	MATERIAL:	MATERIAL DESC:		
TOOL NUMBER:	DATE: 7/27/2010		<b>THE WAGNER COMPANIES</b> R & B WAGNER, INC. AND J. G. BRAUN CO.	
	DRAWN BY: rkneprath			
	FINISH: #4 SATIN	SIZE: A	WEIGHT: N/A	PART NUMBER: WR3166SFP
				REV: 1

2



1