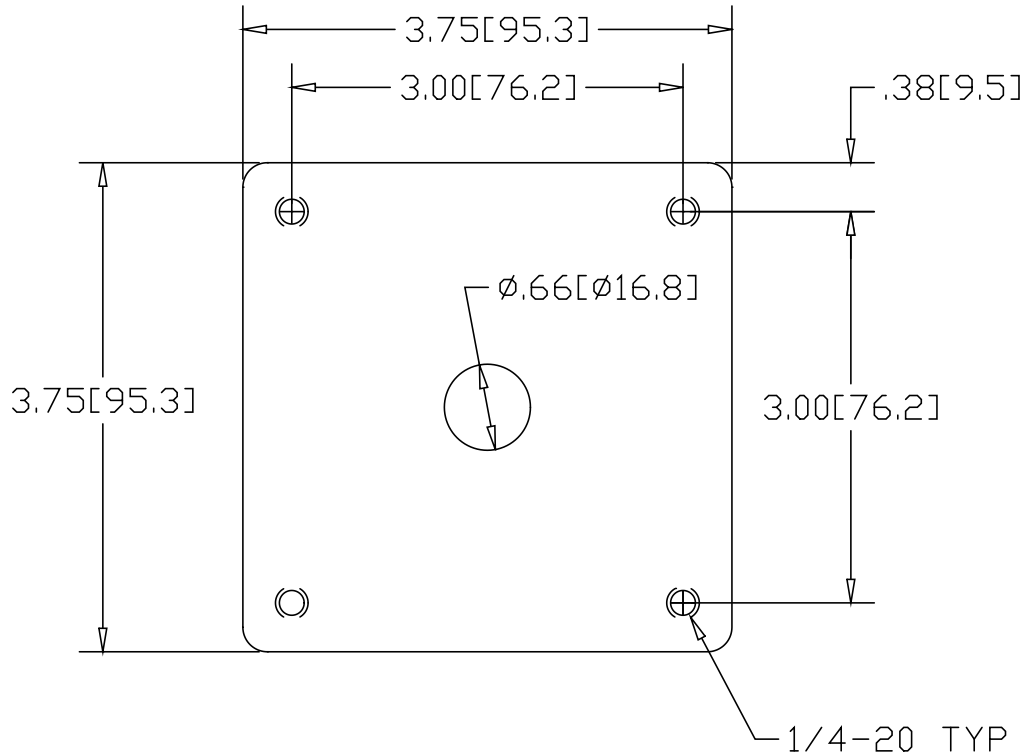


REV  
SH  
8057  
DWG NO


REVISIONS			
REV	DESCRIPTION	DATE	APPROVED



\*INCLUDES (4) 1/4-20 X 3/8" FLAT HEAD SCREWS

INCHES [MILLIMETERS]

ALTERNATE MATERIAL	PART NUMBER
.190 (3003) ALUMINUM ASTM B209	8058

PART NAME		3.75" SQUARE ANCHOR PLATE		
MATERIAL		7 GA. HRP&D STEEL ASTM A569		
DATE	6/12/96	 <b>R &amp; B WAGNER, INC.</b>		
DRAWN BY	RJF			
FINISH	MILL	SIZE	WEIGHT	PART NUMBER
		A	.8 LBS	8057
				REV