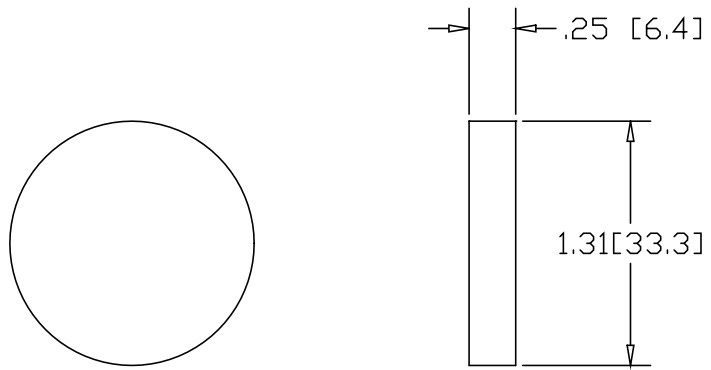
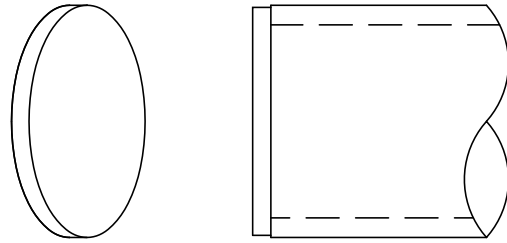



REV
SH
D035
DWG NO

REVISIONS			
REV	DESCRIPTION	DATE	APPROVED



INCHES [MILLIMETERS]

ALTERNATE MATERIAL	PART NUMBER
.250 (3003) ALUMINUM ASTM B209	B036
.250 (304) STAINLESS STEEL ASTM A240	B037
.250 (260) BRASS ASTM B19,B36	B038

PART NAME				1" PIPE SIZE TYPE-D WELD-ON DISK				
MATERIAL				.250 HRP&D STEEL ASTM A569				
DATE	10/11/96			THE WAGNER COMPANIES R & B WAGNER, INC. AND J. G. BRAUN CO.				
DRAWN BY	RJF							
FINISH	MILL	SIZE	A	WEIGHT	.08 LBS	PART NUMBER	D035	
							REV	