

REV

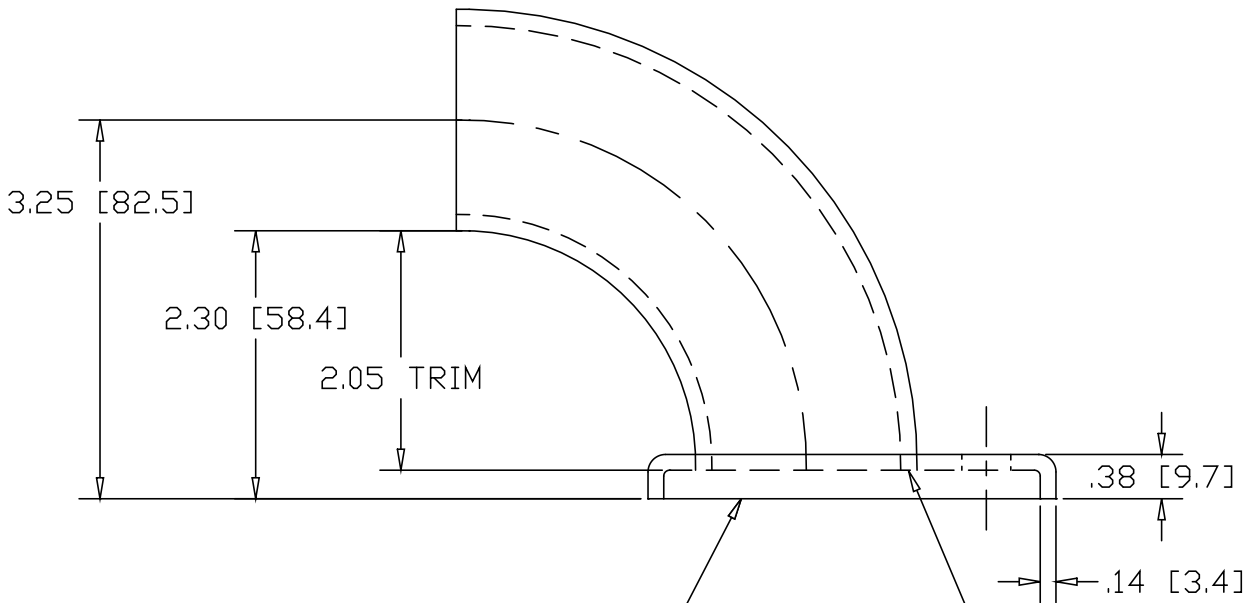
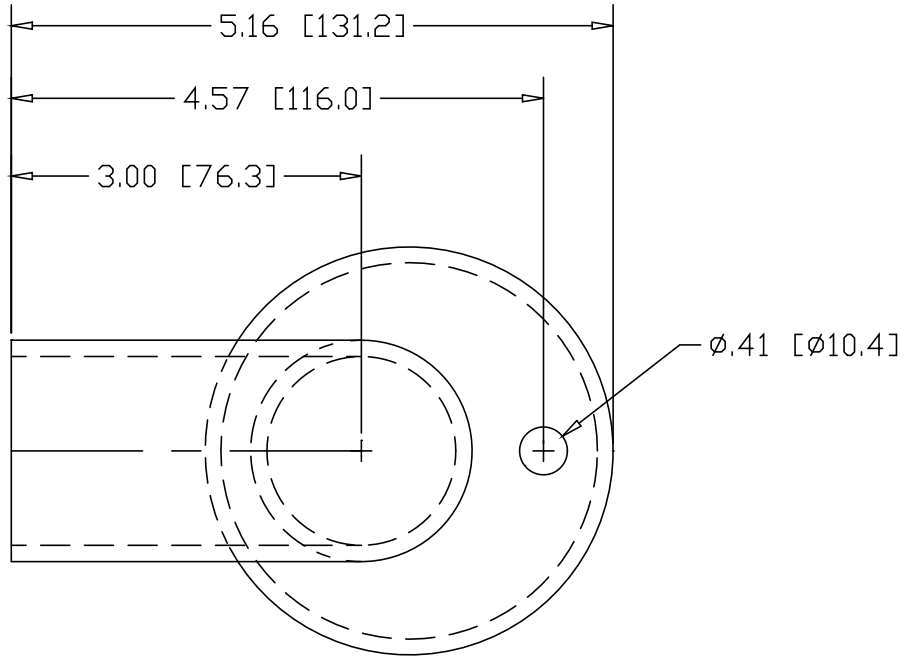
SH

DWG NO 1164-1

REV

REVISIONS

REV	DESCRIPTION	DATE	APPROVED
-----	-------------	------	----------



R&B WAGNER
HEAVY FLUSH BASE
PIPE FLANGE #2534R

WELD
1/2" LONG
(3) PLACES

INCHES [MILLIMETERS]

PART NAME		1-1/2" PIPE SIZE X 3.25CL WALL RETURN W/1 HOLE		
MATERIAL		ASTM A569 - STEEL		
DATE	1/10/07		THE WAGNER COMPANIES R & B WAGNER, INC. AND J. G. BRAUN CO.	
DRAWN BY	RDC			
FINISH	MILL			
SIZE	A	WEIGHT	PART NUMBER	1164-1
			REV	