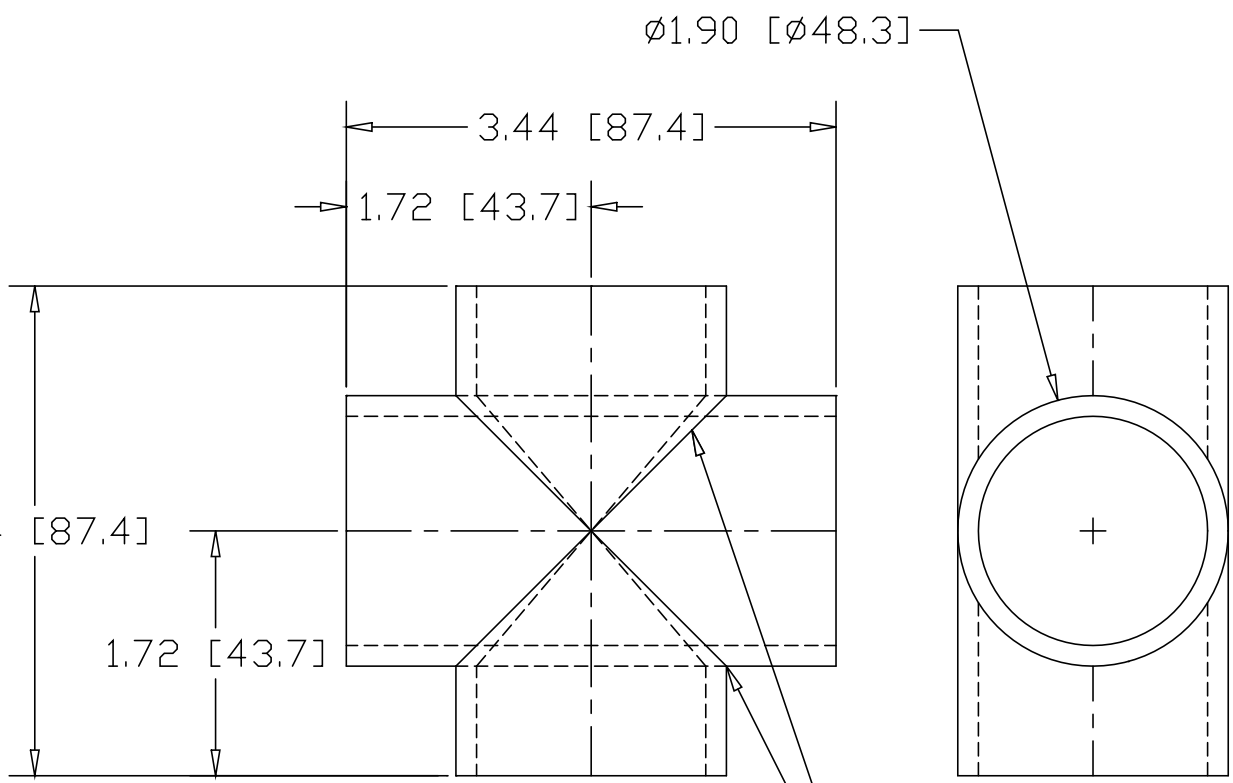



REV
SH
875
DWG NO

REVISIONS			
REV	DESCRIPTION	DATE	APPROVED



(2) STUBS WELDED
ALL AROUND

INCHES [MILLIMETERS]

PART NAME		1-1/2" S.S. CROSS		
MATERIAL		1-1/2" SCH 40 S.S. PIPE		
DATE	10/27/93	 R & B WAGNER, INC.		
DRAWN BY	RJF			
FINISH	MILL	SIZE	WEIGHT	PART NUMBER
		A	1.5 lbs	875
				REV