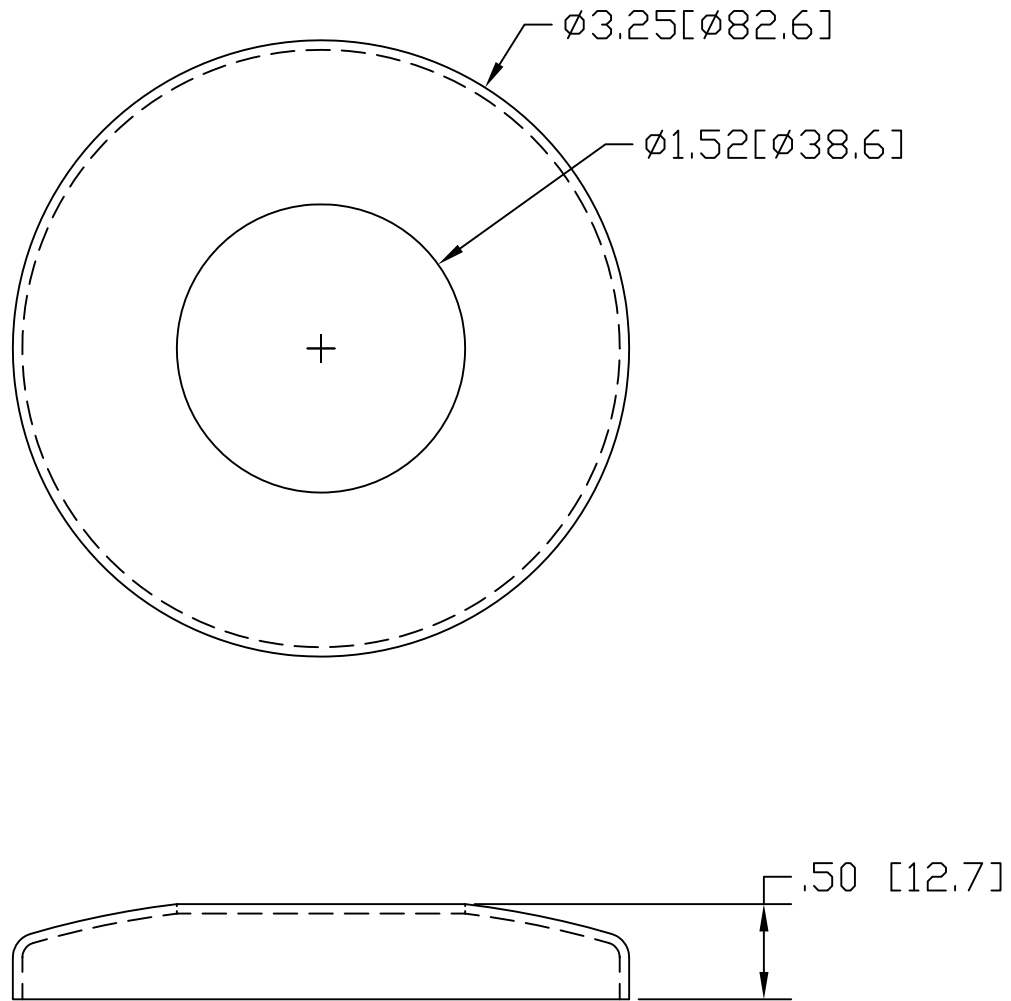


REV A
SH
2071
DWG NO


REVISIONS			
REV	DESCRIPTION	DATE	APPROVED
A	.50 WAS .53	04/07/14	RJF



* USE WITH BASE
 #2071B IN STEEL
 #2072B IN ALUMINUM
 #2073B IN STAINLESS
 #2074B IN BRASS

INCHES [MILLIMETERS]

ALTERNATE MATERIAL	PART NUMBER
.063 (3003) ALUMINUM ASTM B209	2072
18 GA. (304) STAINLESS STEEL A240	2073
16 GA. (.05) (260) BRASS B19,B36	2074

PART NAME		1.50" OD TUBE SNAP COVER		
MATERIAL		18 GA. CR STEEL ASTM A366		
DATE	4/3/97	 R & B WAGNER, INC.		
DRAWN BY	RJF			
FINISH	MILL	SIZE	WEIGHT	PART NUMBER
		A	.13 LBS	2071
				REV A