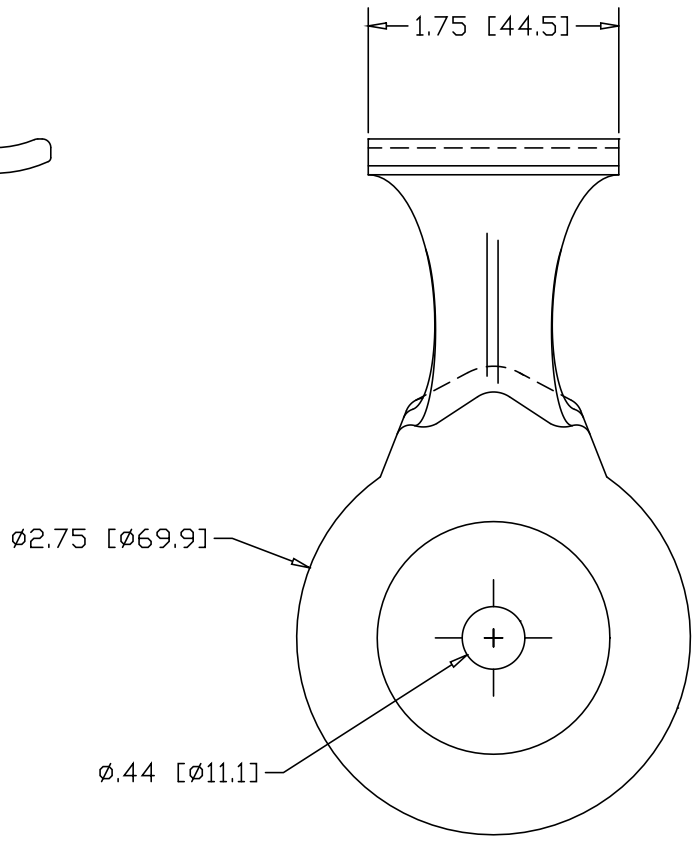
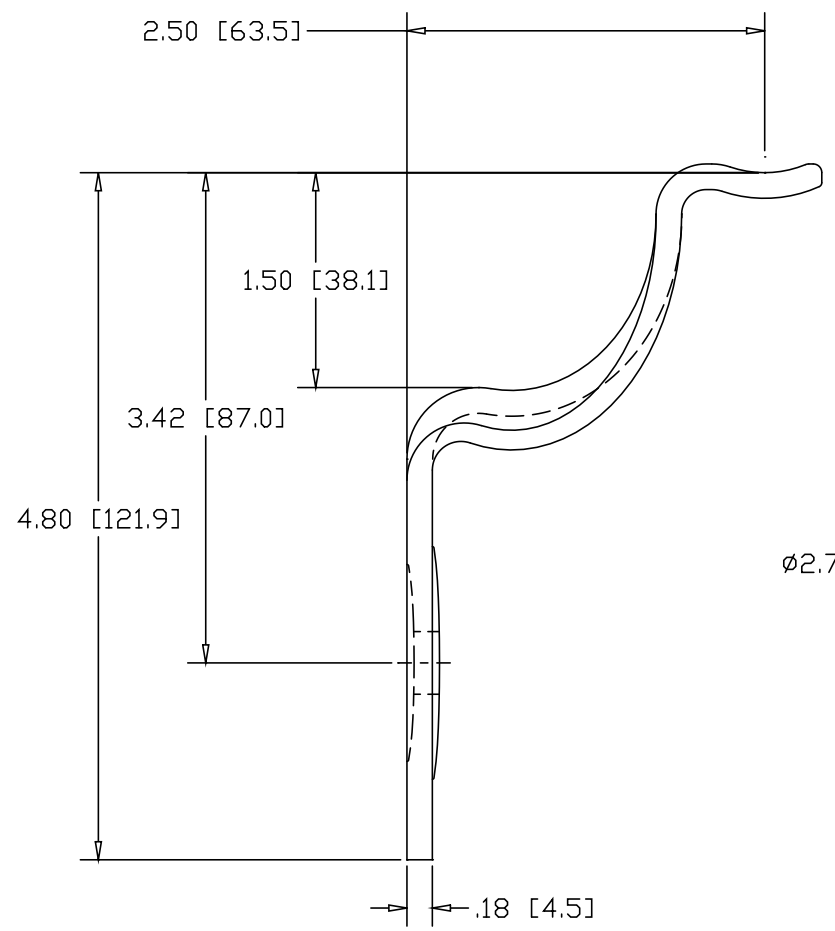



REVISIONS			
REV	DESCRIPTION	DATE	APPROVED



INCHES [MILLIMETERS]

PART NAME		2-1/2" B-STYLE HANDRAIL BRACKET WITH 1.50" DROP NO SADDLE HOLES					
MATERIAL		304 STAINLESS STEEL					
DATE	02/13/04		THE WAGNER COMPANIES R & B WAGNER, INC. AND J. G. BRAUN CO.				
DRAWN BY	RJF						
FINISH	#4 SATIN						
SIZE	A	WEIGHT	.52 LBS	PART NUMBER	3420-NSH	REV	