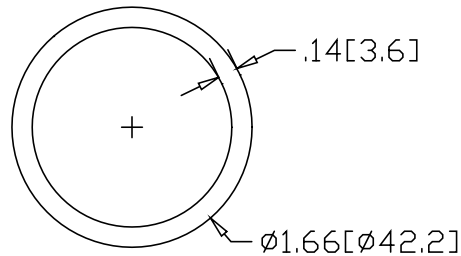
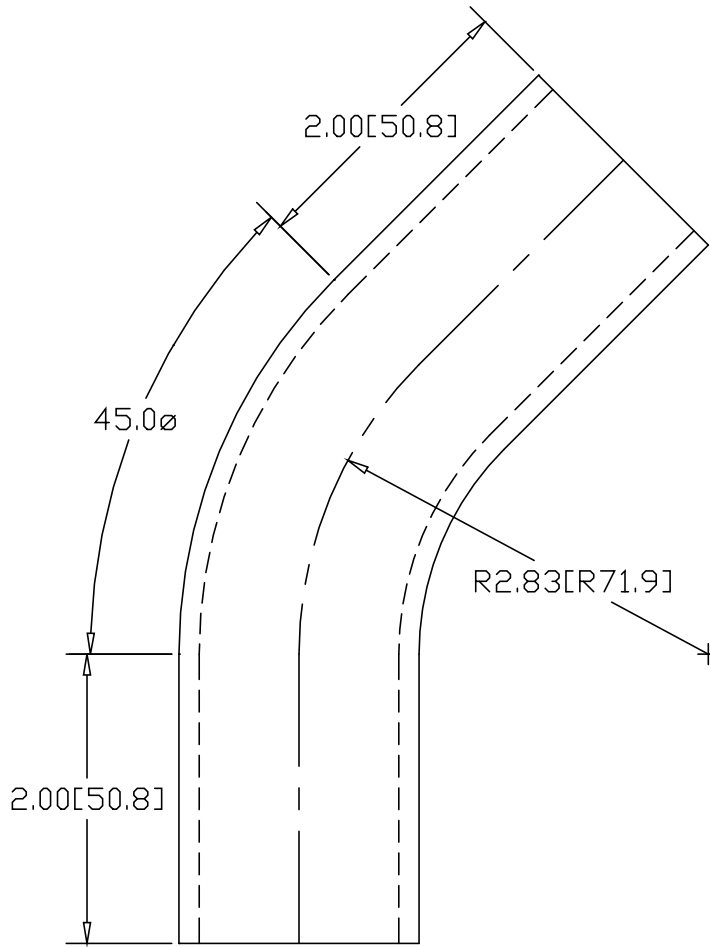


REV
SH
DWG NO 257-2

REVISIONS			
REV	DESCRIPTION	DATE	APPROVED



INCHES [MILLIMETERS]

ALTERNATE MATERIAL	PART NUMBER
1-1/4" SCH 40 (6063) ALUMINUM PIPE	281-2

PART NAME 1-1/4" PIPE SIZE 45° ELL X 2" I.R. W/(2) 2" TANGENTS				
MATERIAL 1-1/4" SCH 40 STEEL PIPE				
DATE 8/24/95				
DRAWN BY RJF				
FINISH MILL	SIZE A	WEIGHT 1.2 LBS	PART NUMBER 257-2	REV