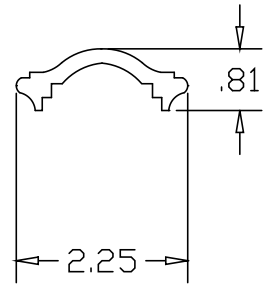
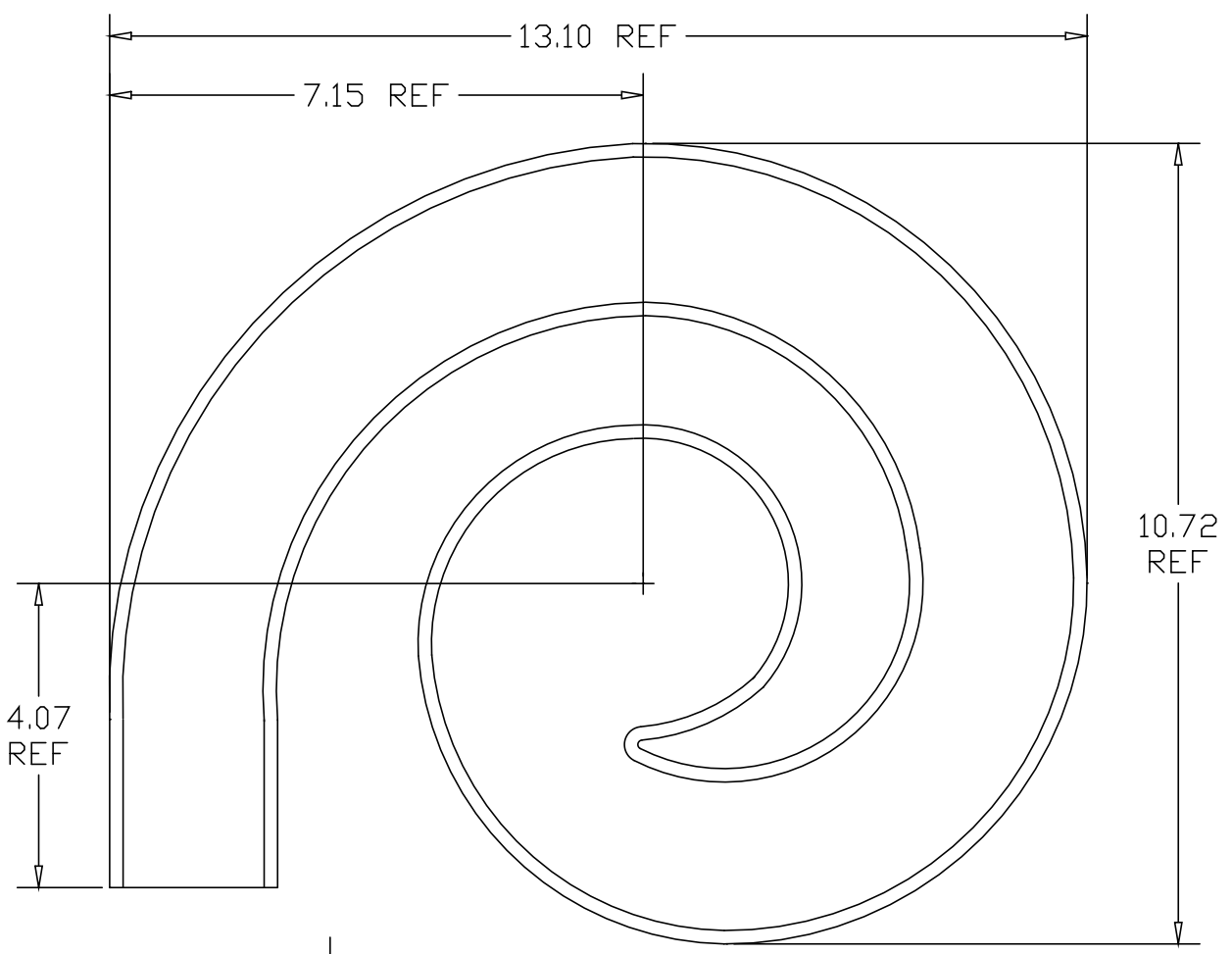



REV
SH
H1244AL
DWG NO

REVISIONS			
REV	DESCRIPTION	DATE	APPROVED



PART NAME SENIOR LATERAL SCROLL, LEFT HAND			
MATERIAL MALLEABLE IRON ASTM A47			
DATE 5/19/03		THE WAGNER COMPANIES	
DRAWN BY RJF		R & B WAGNER, INC. AND J. G. BRAUN CO.	
FINISH AS-CAST		SIZE A	WEIGHT 6.4 LBS
			REV