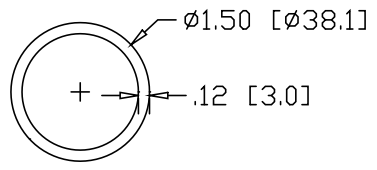
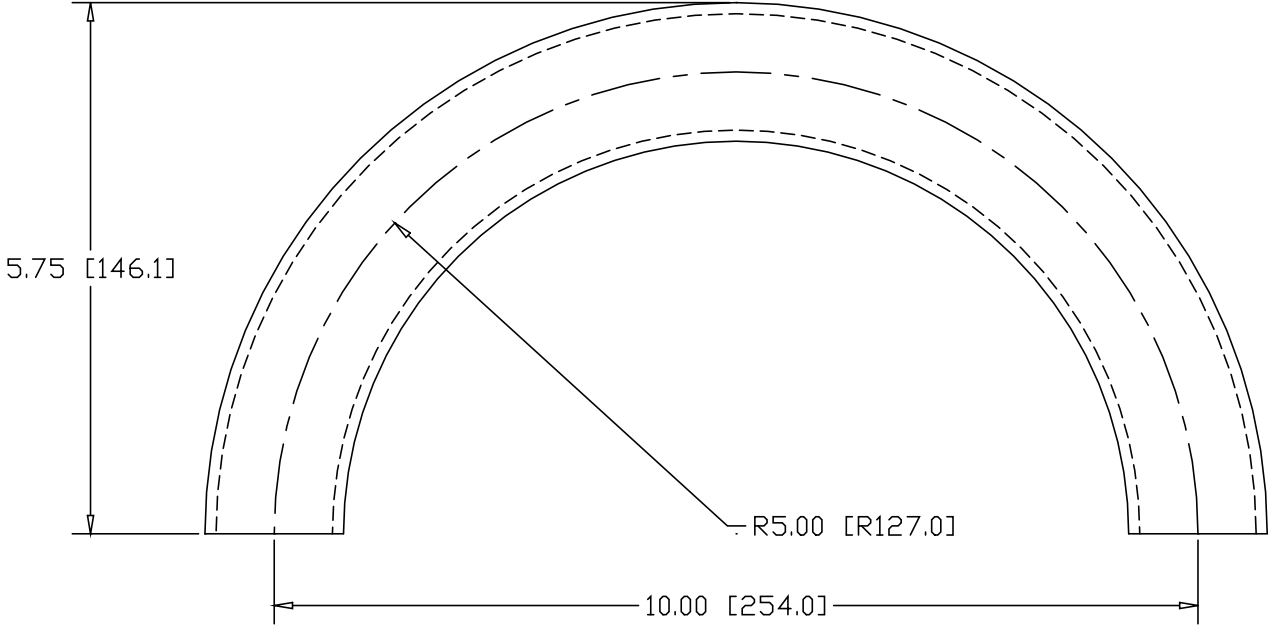



REV  
SH  
6962-5  
DWG NO

REVISIONS			
REV	DESCRIPTION	DATE	APPROVED



INCHES [MILLIMETERS]

ALTERNATE MATERIAL		PART NUMBER	
1.50" O.D. X .125W (6061-T1) ALUMINUM TUBE		6970-5	
1.50" O.D. X .120W (304) STAINLESS STEEL TUBE		6978-5	
PART NAME 1.50" O.D. TUBE 180° ELL X 5.00"CLR			
MATERIAL 1.50" O.D. X .120W STEEL TUBE			
DATE 9/22/00		 <b>R &amp; B WAGNER, INC.</b>	
DRAWN BY RJF			
FINISH MILL			
SIZE A	WEIGHT 2.32 LBS	PART NUMBER 6962-5	REV