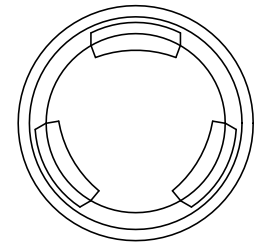
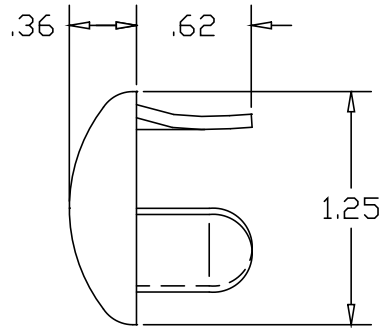


REV
SH
DWG NO 3233D

REVISIONS			
REV	DESCRIPTION	DATE	APPROVED



INCHES [MILLIMETERS]

ALTERNATE MATERIAL	PART NUMBER
.063 (3003) ALUMINUM ASTM B-209	3234D
16 GA. (304) STAINLESS STEEL ASTM A240	3263D

PART NAME	1.25" OD X .120W TYPE "H" OVAL DRIVE-ON END CAP
MATERIAL	16 GA. HRP&D STEEL ASTM A-569

NOTE: ALUMINUM AND STAINLESS CAPS HAVE #4 SATIN FINISH.

DATE	7/10/96
DRAWN BY	RJF
FINISH	MILL SEE NOTE



THE WAGNER COMPANIES
R & B WAGNER, INC. AND J. G. BRAUN CO.

SIZE	WEIGHT	PART NUMBER	REV
A	.05 LBS	3233D	